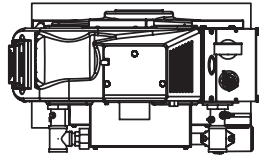
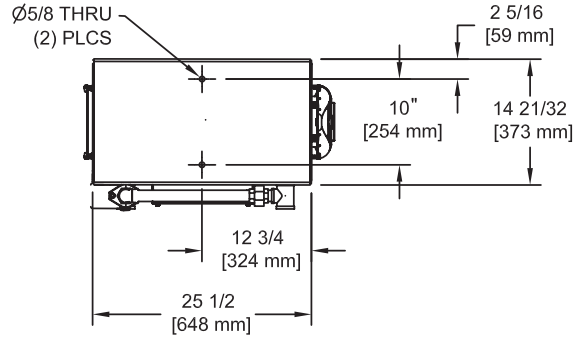


# KN-2

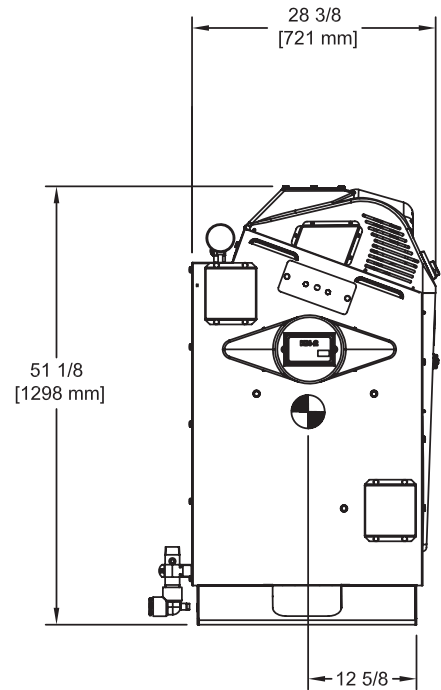
**Category II or Category IV Appliance**  
 (see Installation and Operation Manual for venting information)



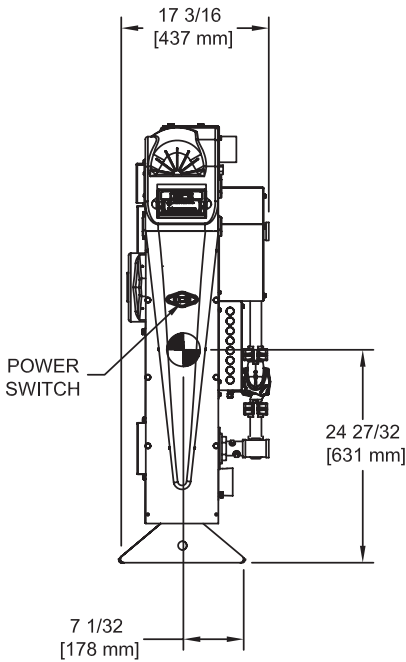
**TOP**  
 HSUB-7 REV. E



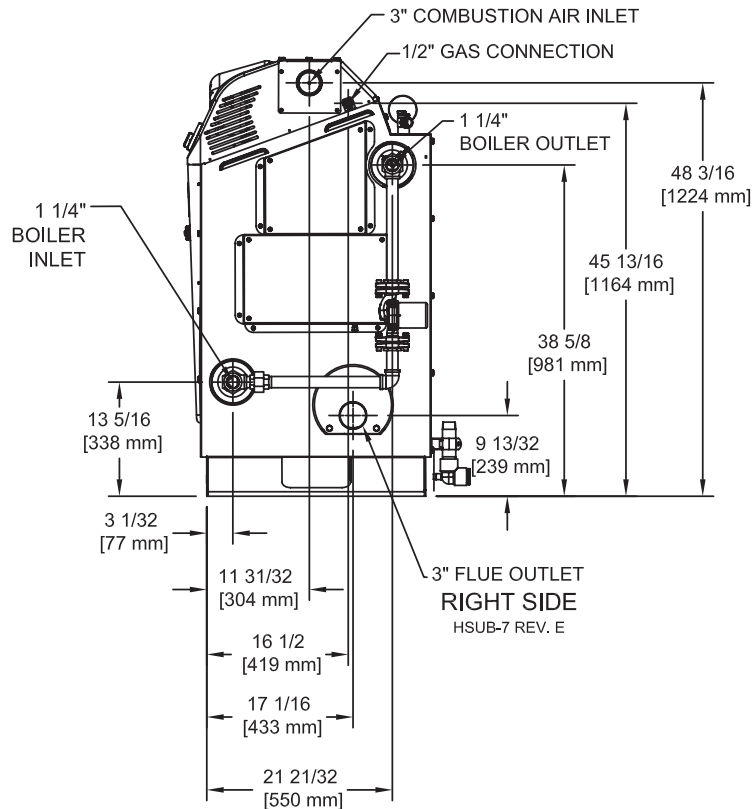
**BOTTOM**  
 HSUB-7 REV. E



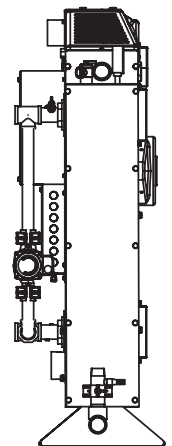
**LEFT SIDE**  
 HSUB-7 REV. E



**FRONT**  
 HSUB-7 REV. E



**RIGHT SIDE**  
 HSUB-7 REV. E



**REAR**  
 HSUB-7 REV. E



## A.G.A. CERTIFIED RATINGS & CAPACITIES

<b>Fuel Type</b>	Natural/LP Gas	<b>Boiler FLA</b>	2.5 A*
<b>Input BTU/hr.</b>	199 MBH / 59 KW	<b>Min. Gas Pressure Required</b>	2" W.C.
<b>Output BTU/hr.</b>	179 MBH / 53 KW	<b>Max. Gas Pressure Allowed</b>	14" W.C.
<b>Boiler HP</b>	5.4	<b>Water Volume</b>	3.9 gal.
<b>Electrical Requirements</b>	120VAC/ 60 hz/ 1PH	<b>Operating Weight</b>	563 lbs. / 256 kg.

## BOILER TRIM & CONTROLS

<b>Main Gas Valve</b>	Dungs GB-WND	<b>Air Switch</b>	Cleveland NS-2
<b>Ignition Control</b>	Fenwal 35-60	<b>Blower Motor</b>	Ametek
<b>Operating Control</b>	HeatNet®	<b>Relief Valve</b>	30, 50, 75 & 100 PSI
<b>High Limit</b>	P-SW-13004-X		

## A.S.M.E.

<b>ASME Sect IV Fire Side Htg Surface</b>	13.30 Sq. Ft. / 1.23 Sq. M.	<b>Design Data</b>	100 PSI & 250°F
<b>ASME Sect IV Water Side Htg Surface</b>	14.22 Sq. Ft. / 1.32 Sq. M.		
<b>CV. GPM (1PSID)</b>	20		

\*Add circulator amps.

## TEMPERATURE RISE / PRESSURE DROP (Based on Full Input)

20°F / 11.1°C				40°F / 22.2°C				60°F / 33.3°C				80°F / 44.4°C				100°F / 55.5°C			
Flow Rate		Pressure Drop		Flow Rate		Pressure Drop		Flow Rate		Pressure Drop		Flow Rate		Pressure Drop		Flow Rate		Pressure Drop	
GPM	L/s	Ft	kPa	GPM	L/s	Ft	kPa	GPM	L/s	Ft	kPa	GPM	L/s	Ft	kPa	GPM	L/s	Ft	kPa
18.0	1.14	1.87	5.6	9.0	.57	.47	1.40	6.00	.38	.21	.62	4.5	.28	.12	.35	3.6	.23	.07	.22

Flow GPM				Temp. Rise** (°F)				Vent Length (Equiv. Ft.)				Air Inlet Length (Equiv. Ft.)			
Min		Max		Min		Max		Min		Max		Min		Max	
3.6		18.0		20		100		6		100		0		100	

\*\*Min/Max delta t reflects boiler operation at full input. For applications requiring operation above/below these parameters please consult factory.

<b>REP FIRM</b>	_____
<b>SUBMITTED BY</b>	_____
<b>JOB NAME</b>	_____
<b>ARCHITECT</b>	_____
<b>ENGINEER</b>	_____
<b>CONTRACTOR</b>	_____
<b>DATE</b>	_____

# KN-2

**Category II or Category IV Appliance**  
(see Installation and Operation Manual for venting information)



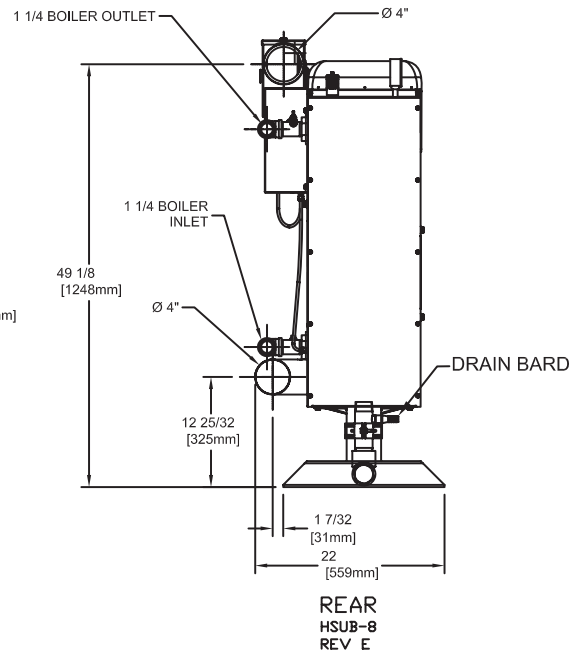
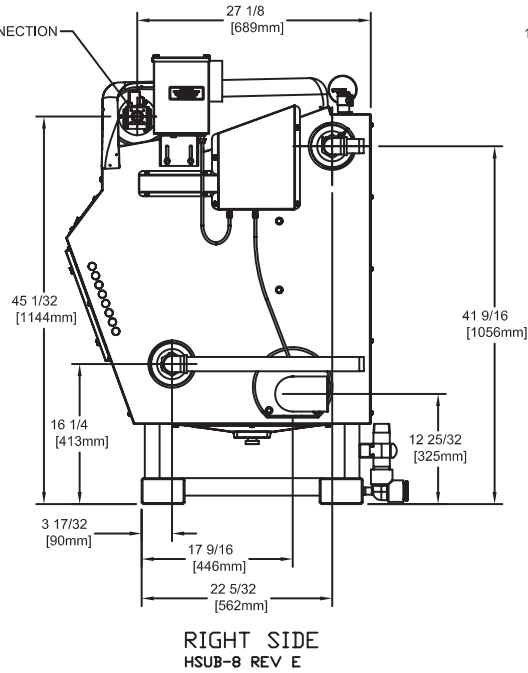
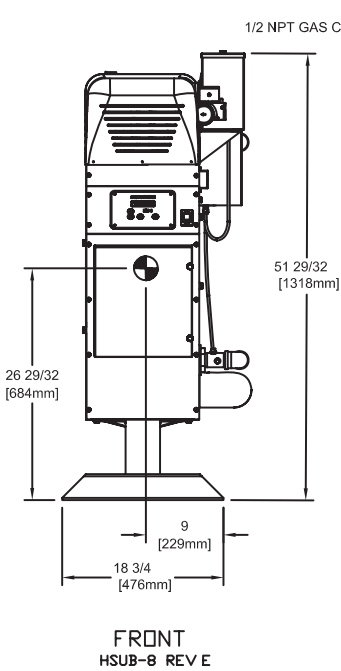
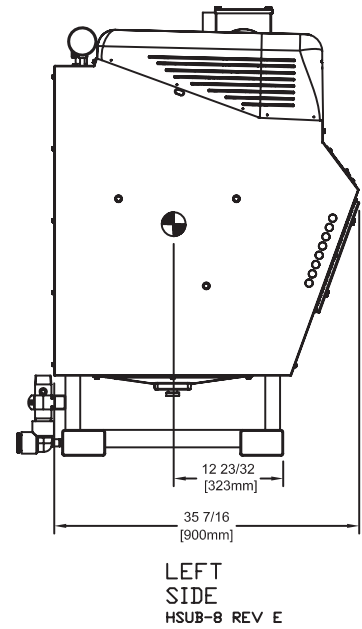
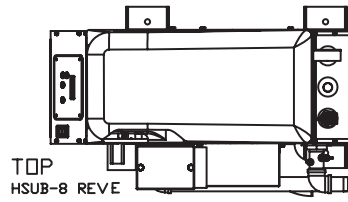
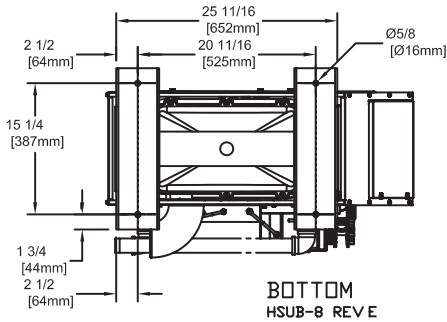
A Division of Mestek, Inc.  
Westfield, MA 01085  
(413) 564-5515

# KN-4

**Category II or Category IV Appliance**  
 (see Installation and Operation Manual for venting information)

## CODE OPTIONS

CSD-1	STANDARD
-------	----------



## A.G.A. CERTIFIED RATINGS & CAPACITIES

<b>Fuel Type</b>	Natural/LP Gas	<b>Boiler FLA</b>	5 A*
<b>Input BTU/hr.</b>	399 MBH / 117 KW	<b>Min. Gas Pressure Required</b>	2" W.C.
<b>Output BTU/hr.</b>	359 MBH / 105 KW	<b>Max. Gas Pressure Allowed</b>	14" W.C.
<b>Boiler HP</b>	10.7	<b>Water Volume</b>	5.9 gal.
<b>Electrical Requirements</b>	120VAC/ 60 hz/ 1PH	<b>Operating Weight</b>	827 lbs. / 375 kg.

## BOILER TRIM & CONTROLS

<b>Main Gas Valve</b>	Dungs GB-WND	<b>Air Switch</b>	Cleveland NS-2
<b>Ignition Control</b>	Fenwal 35-60	<b>Blower Motor</b>	Ametek
<b>Operating Control</b>	HeatNet®	<b>Relief Valve</b>	30, 50, 75 & 100 PSI
<b>High Limit</b>	P-SW-1300-4-X		

## A.S.M.E.

<b>ASME Sect IV Fire Side Htg Surface</b>	19.95 Sq. Ft. / 1.85 Sq. M.	<b>Design Data</b>	100 PSI & 250°F
<b>ASME Sect IV Water Side Htg Surface</b>	21.33 Sq. Ft. / 1.98 Sq. M.		
<b>CV. GPM (1PSID)</b>	40		


\*Add circulator amps.

## TEMPERATURE RISE / PRESSURE DROP (Based on Full Input)

20°F / 11.1°C				40°F / 22.2°C				60°F / 33.3°C				80°F / 44.4°C				100°F / 55.5°C			
Flow Rate		Pressure Drop		Flow Rate		Pressure Drop		Flow Rate		Pressure Drop		Flow Rate		Pressure Drop		Flow Rate		Pressure Drop	
GPM	L/s	Ft	kPa	GPM	L/s	Ft	kPa	GPM	L/s	Ft	kPa	GPM	L/s	Ft	kPa	GPM	L/s	Ft	kPa
36.0	2.30	1.90	5.60	18.0	1.10	.50	1.40	12.0	.80	.21	.60	9.00	.60	.12	.30	7.2	.50	.07	.22

Flow GPM				Temp. Rise** (°F)				Vent Length (Equiv. Ft.)				Air Inlet Length (Equiv. Ft.)			
Min		Max		Min		Max		Min		Max		Min		Max	
7.2		36		20		100		6		100		0		100	

\*\*Min/Max delta t reflects boiler operation at full input. For applications requiring operation above/below these parameters please consult factory.

<b>REP FIRM</b>	_____	<h1>KN-4</h1> <p><b>Category II or Category IV Appliance</b> (see Installation and Operation Manual for venting information)</p>  <p>A Division of Mestek, Inc. Westfield, MA 01085 (413) 564-5515</p>
<b>SUBMITTED BY</b>	_____	
<b>JOB NAME</b>	_____	
<b>ARCHITECT</b>	_____	
<b>ENGINEER</b>	_____	
<b>CONTRACTOR</b>	_____	
<b>DATE</b>	_____	

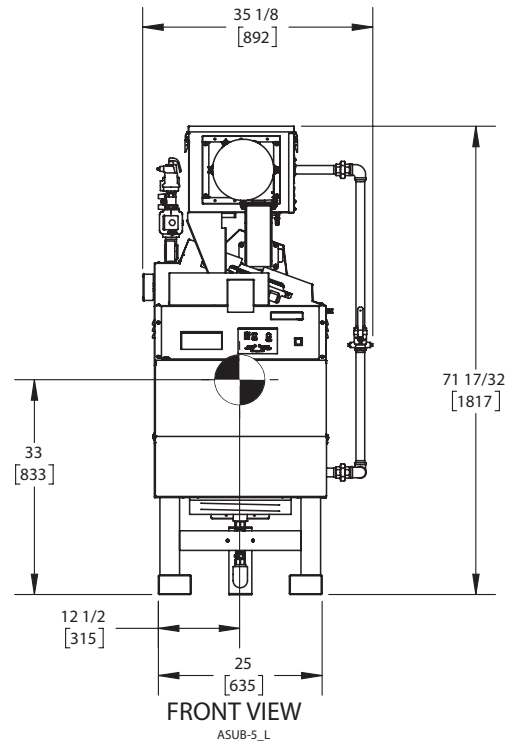
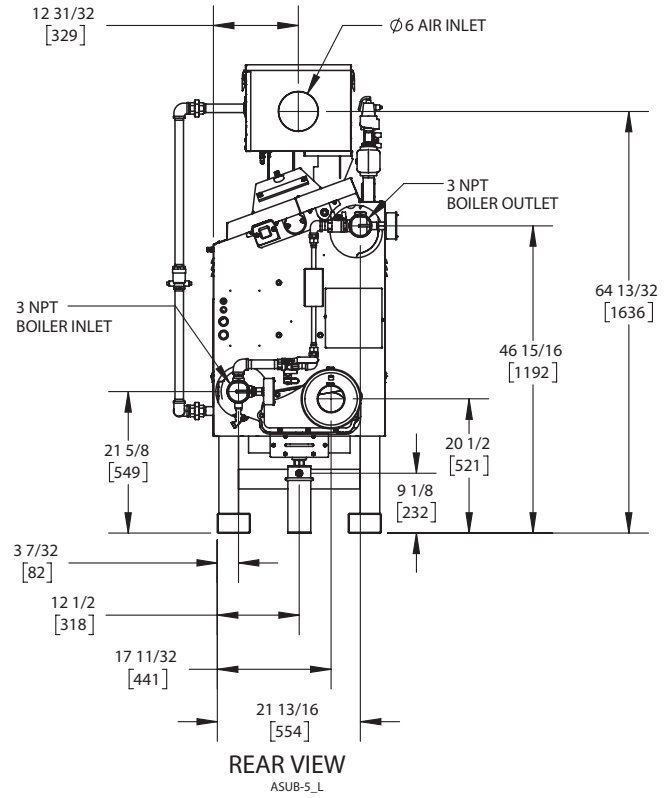
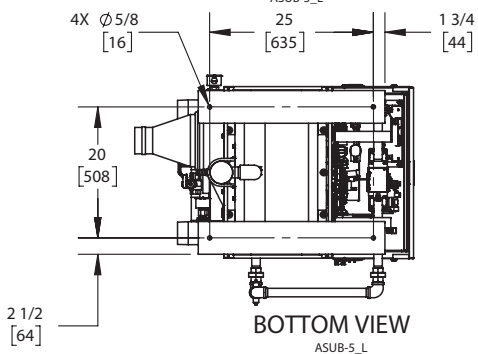
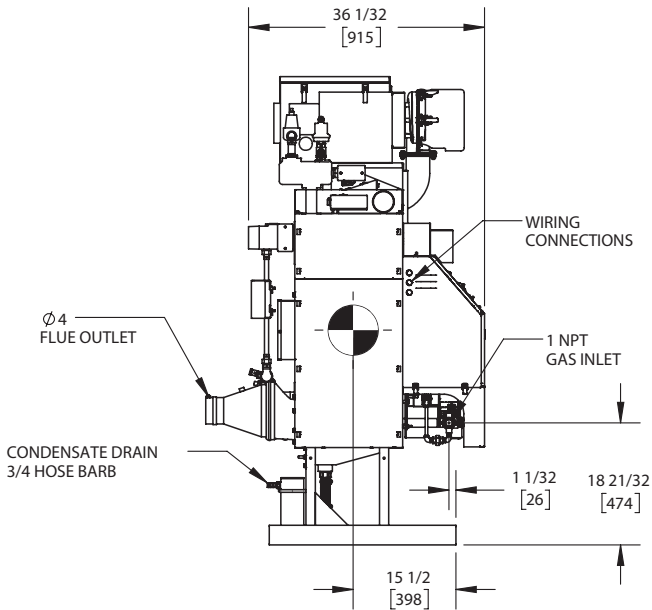
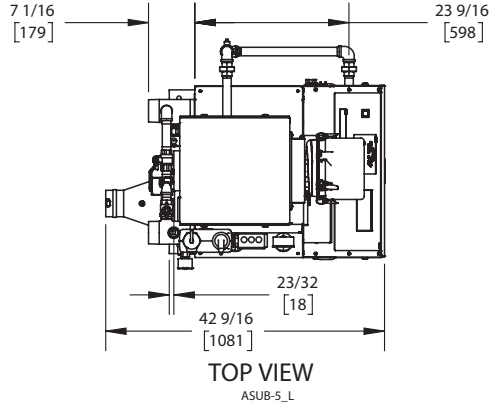
# KN-6

Category II or Category IV Appliance  
(see Installation and Operation Manual for venting information)

## CODE OPTIONS

CSD-1	STANDARD
-------	----------

## INDOOR UNIT



**NOTES:**

1. SYMBOL INDICATES CENTER OF GRAVITY.
2. DIMENSIONS ARE NOMINAL AND SUBJECT TO MANUFACTURING VARIATION AND SHOULD NOT BE USED FOR "ROUGHING IN".
3. ALL DIMENSIONS ARE INCHES (mm).



## A.G.A. CERTIFIED RATINGS & CAPACITIES

<b>Fuel Type</b>	Natural/LP Gas	<b>Boiler FLA</b>	15.78 A*
<b>Input BTU/hr.</b>	600 MBH / 176 KW	<b>Min. Gas Pressure Required</b>	3" W.C.
<b>Output BTU/hr.</b>	540 MBH / 158 KW	<b>Max. Gas Pressure Allowed</b>	14" W.C.
<b>Boiler HP</b>	16.3	<b>Water Volume</b>	7.9 gal.
<b>Electrical Requirements</b>	120VAC/ 60 hz/ 1PH	<b>Operating Weight</b>	1150 lbs. / 522 kg.
<b>SCCR Rating</b>	5kA		

## BOILER TRIM & CONTROLS

<b>Main Gas Valve</b>	Dungs MBC	<b>Air Switch</b>	Huba
<b>Firing Valve</b>	1" Apollo	<b>Flow Sensor</b>	SIKA
<b>Ignition Control</b>	Honeywell RM7895C	<b>Blocked Flue Switch</b>	Cleveland NS2
<b>Operating Control</b>	HeatNet®	<b>Blower Motor</b>	Ametek
<b>High Limit</b>	Honeywell L4006E	<b>L.W.C.O.</b>	800
<b>Main Ball Valve</b>	1" Apollo	<b>Relief Valve</b>	30, 50, 75 & 100 PSI
<b>Pilot Cock</b>	1/4" Conbraco	<b>Pilot Regulator</b>	Maxitrol RV12LT

## A.S.M.E.

<b>ASME Sect IV Fire Side Htg Surface</b>	26.60 Sq. Ft. / 2.47 Sq. M.	<b>Design Data</b>	100 PSI & 250°F
<b>ASME Sect IV Water Side Htg Surface</b>	28.44 Sq. Ft. / 2.64 Sq. M.		
<b>CV. GPM (1PSID)</b>	62		

\*Add circulator amps.

## TEMPERATURE RISE / PRESSURE DROP (Based on Full Input)

20°F / 11.1°C				40°F / 22.2°C				60°F / 33.3°C				80°F / 44.4°C				100°F / 55.5°C			
Flow Rate		Pressure Drop		Flow Rate		Pressure Drop		Flow Rate		Pressure Drop		Flow Rate		Pressure Drop		Flow Rate		Pressure Drop	
GPM	L/s	Ft	kPa	GPM	L/s	Ft	kPa	GPM	L/s	Ft	kPa	GPM	L/s	Ft	kPa	GPM	L/s	Ft	kPa
54.0	3.40	1.75	5.20	27.0	1.70	.44	1.30	18.0	1.10	.19	.60	13.5	.90	.11	.30	10.8	.70	.07	.20

Flow GPM		Temp. Rise** (°F)		Vent Length (Equiv. Ft.)		Air Inlet Length (Equiv. Ft.)	
Min	Max	Min	Max	Min	Max	Min	Max
10.8	54.0	20	100	6	120	0	120

\*\*Min/Max delta t reflects boiler operation at full input. For applications requiring operation above/below these parameters please consult factory.

<b>REP FIRM</b>	_____
<b>SUBMITTED BY</b>	_____
<b>JOB NAME</b>	_____
<b>ARCHITECT</b>	_____
<b>ENGINEER</b>	_____
<b>CONTRACTOR</b>	_____
<b>DATE</b>	_____

# KN-6

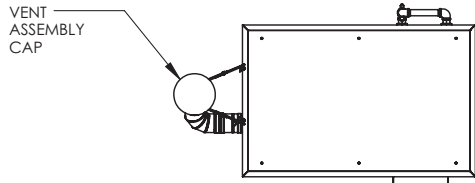
**Category II or Category IV Appliance**  
(see Installation and Operation Manual for venting information)



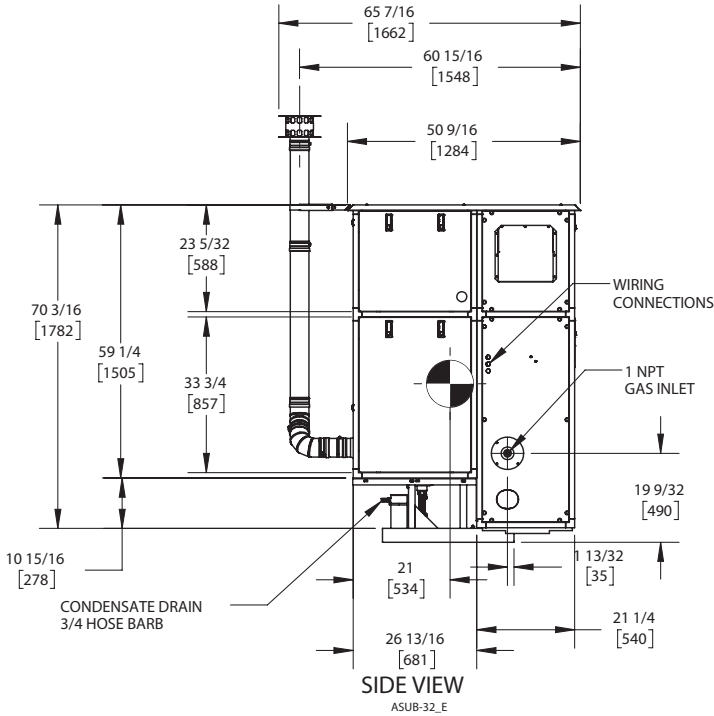
A Division of Mestek, Inc.  
Westfield, MA 01085  
(413) 564-5515

# KN-6

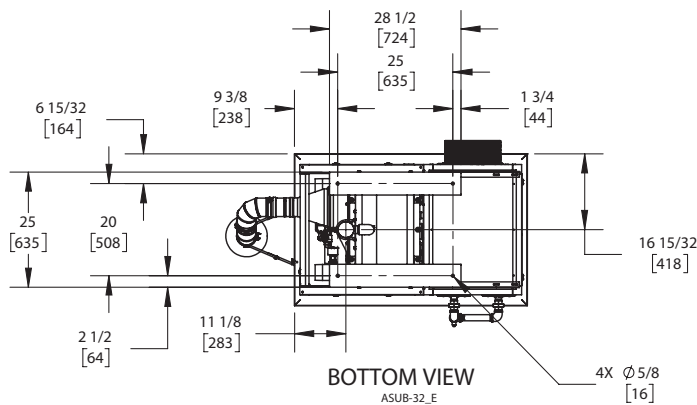
## OUTDOOR UNIT



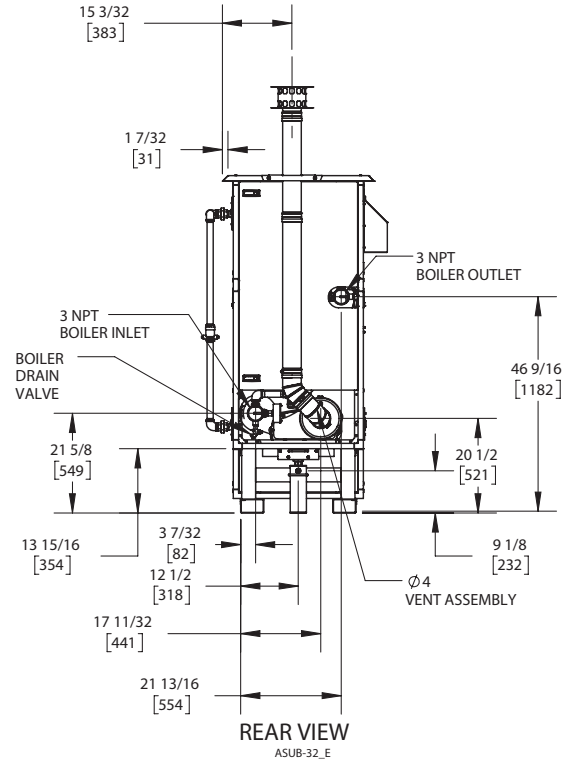
TOP VIEW  
ASUB-32\_E



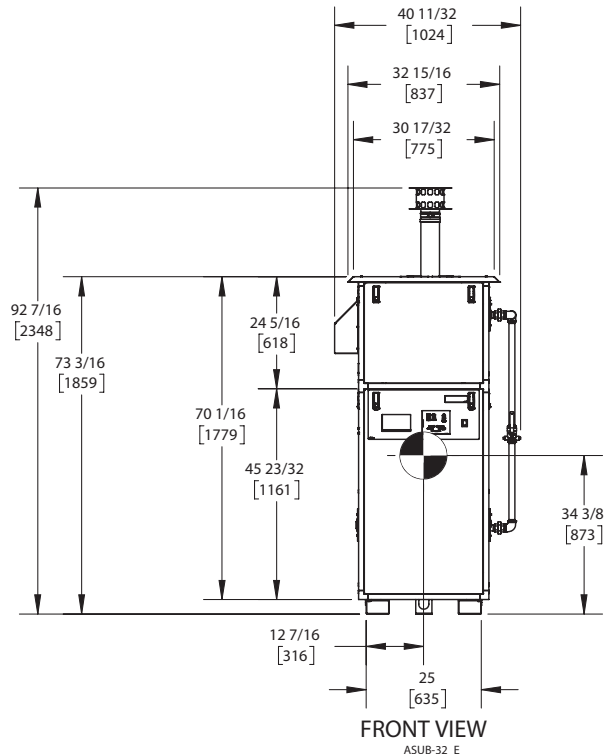
SIDE VIEW  
ASUB-32\_E



BOTTOM VIEW  
ASUB-32\_E



REAR VIEW  
ASUB-32\_E



FRONT VIEW  
ASUB-32\_E

NOTES:

1. SYMBOL INDICATES CENTER OF GRAVITY.
2. DIMENSIONS ARE NOMINAL AND SUBJECT TO MANUFACTURING VARIATION AND SHOULD NOT BE USED FOR "ROUGHING IN".
3. ALL DIMENSIONS ARE INCHES [mm].

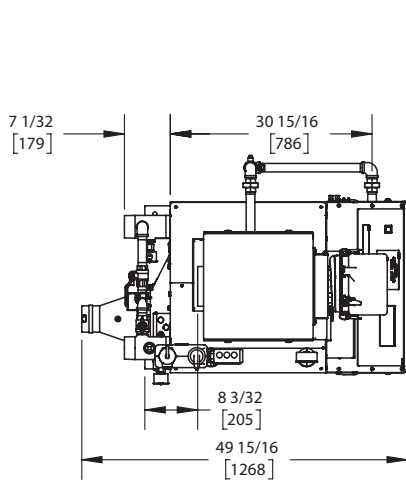
# KN-10

Category II or Category IV Appliance  
(see Installation and Operation Manual for venting information)

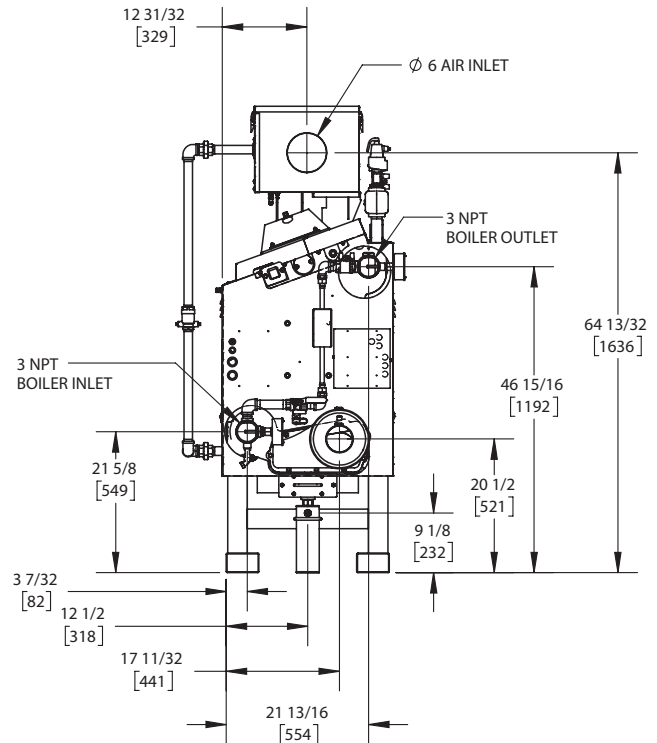
## CODE OPTIONS

CSD-1	STANDARD
-------	----------

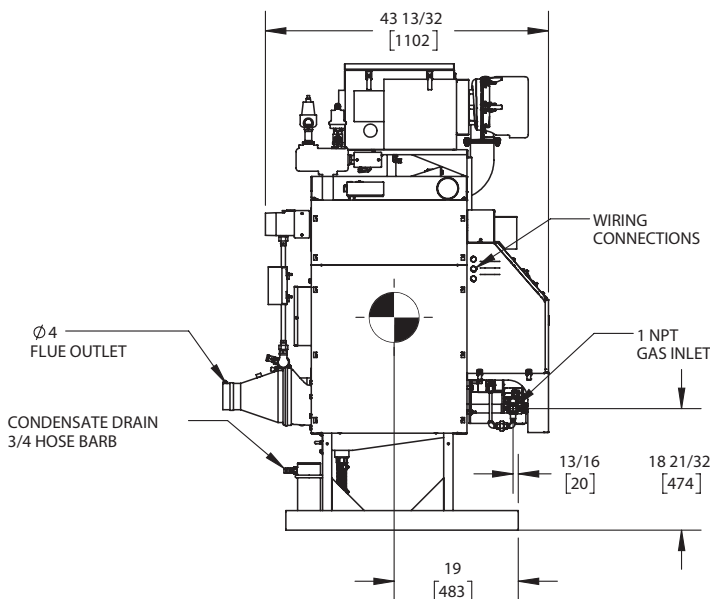
## INDOOR UNIT



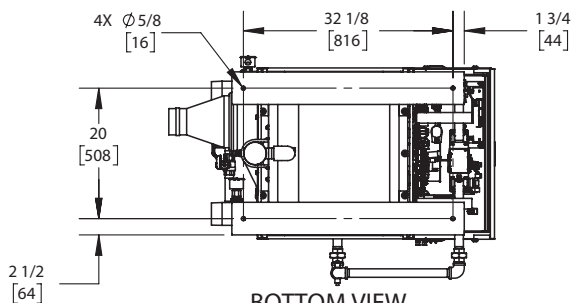
TOP VIEW  
ASUB-4\_L



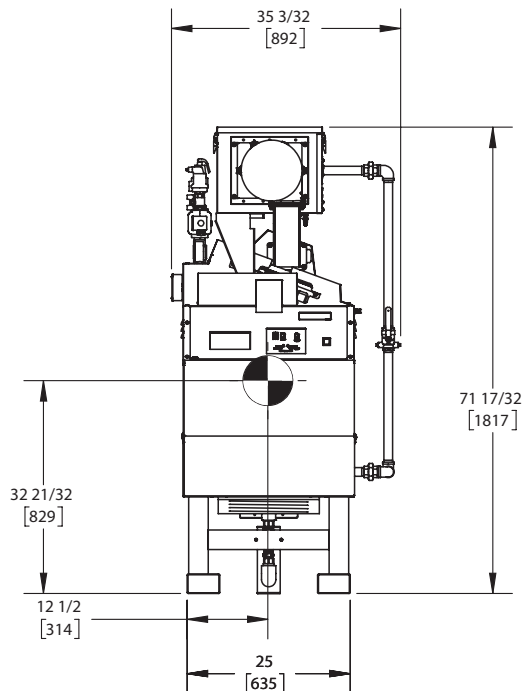
REAR VIEW  
ASUB-4\_L



SIDE VIEW  
ASUB-4\_L



BOTTOM VIEW  
ASUB-4\_L



FRONT VIEW  
ASUB-4\_L

NOTES:

1. SYMBOL INDICATES CENTER OF GRAVITY.
2. DIMENSIONS ARE NOMINAL AND SUBJECT TO MANUFACTURING VARIATION AND SHOULD NOT BE USED FOR "ROUGHING IN".
3. ALL DIMENSIONS ARE INCHES (mm).





## A.G.A. CERTIFIED RATINGS & CAPACITIES

<b>Fuel Type</b>	Natural/LP Gas	<b>Boiler FLA</b>	15.78 A*
<b>Input BTU/hr.</b>	1000 MBH / 293 KW	<b>Min. Gas Pressure Required</b>	3" W.C.
<b>Output BTU/hr.</b>	900 MBH / 264 KW	<b>Max. Gas Pressure Allowed</b>	14" W.C.
<b>Boiler HP</b>	26.9	<b>Water Volume</b>	11.9 gal.
<b>Electrical Requirements</b>	120VAC/ 60 hz/ 1PH	<b>Operating Weight</b>	1557 lbs. / 707 kg.
<b>SCCR Rating</b>	5kA		

## BOILER TRIM & CONTROLS

<b>Main Gas Valve</b>	Dungs MBC	<b>Air Switch</b>	Huba
<b>Firing Valve</b>	1 1/4" Apollo	<b>Flow Sensor</b>	SIKA
<b>Ignition Control</b>	Honeywell RM7895C	<b>Blocked Flue Switch</b>	Cleveland NS2
<b>Operating Control</b>	HeatNet®	<b>Blower Motor</b>	Ametek
<b>High Limit</b>	Honeywell L4006E	<b>L.W.C.O.</b>	800
<b>Main Ball Valve</b>	1 1/4" Apollo	<b>Relief Valve</b>	30, 50, 75 & 100 PSI
<b>Pilot Cock</b>	1/4" Conbraco	<b>Pilot Regulator</b>	Maxitrol RV12LT

## A.S.M.E.

<b>ASME Sect IV Fire Side Htg Surface</b>	39.89 Sq. Ft. / 3.71 Sq. M.	<b>Design Data</b>	100 PSI & 250°F
<b>ASME Sect IV Water Side Htg Surface</b>	42.65 Sq. Ft. / 3.96 Sq. M.		
<b>CV. GPM (1PSID)</b>	100		

\*Add circulator amps.

## TEMPERATURE RISE / PRESSURE DROP (Based on Full Input)

20°F / 11.1°C				40°F / 22.2°C				60°F / 33.3°C				80°F / 44.4°C				100°F / 55.5°C			
Flow Rate		Pressure Drop		Flow Rate		Pressure Drop		Flow Rate		Pressure Drop		Flow Rate		Pressure Drop		Flow Rate		Pressure Drop	
GPM	L/s	Ft	kPa	GPM	L/s	Ft	kPa	GPM	L/s	Ft	kPa	GPM	L/s	Ft	kPa	GPM	L/s	Ft	kPa
90.0	5.70	1.87	5.60	45.0	2.80	.47	1.40	30.0	1.90	.21	.60	22.5	1.40	.12	.30	18.0	1.10	.07	.20

Flow GPM		Temp. Rise** (°F)		Vent Length (Equiv. Ft.)		Air Inlet Length (Equiv. Ft.)	
Min	Max	Min	Max	Min	Max	Min	Max
18.0	90.0	20	100	6	120***	0	120

\*\*Min/Max delta t reflects boiler operation at full input. For applications requiring operation above/below these parameters please consult factory.

\*\*\*A maximum equivalent length of 80 ft. utilizing 4" vent diameter and 120 ft. utilizing 5" vent diameter.

<b>REP FIRM</b>	_____
<b>SUBMITTED BY</b>	_____
<b>JOB NAME</b>	_____
<b>ARCHITECT</b>	_____
<b>ENGINEER</b>	_____
<b>CONTRACTOR</b>	_____
<b>DATE</b>	_____

# KN-10

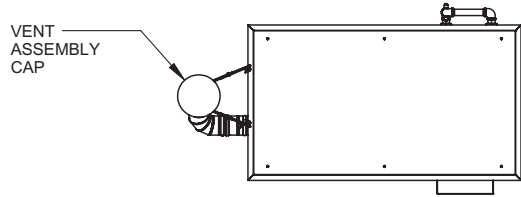
**Category II or Category IV Appliance**  
(see Installation and Operation Manual for venting information)



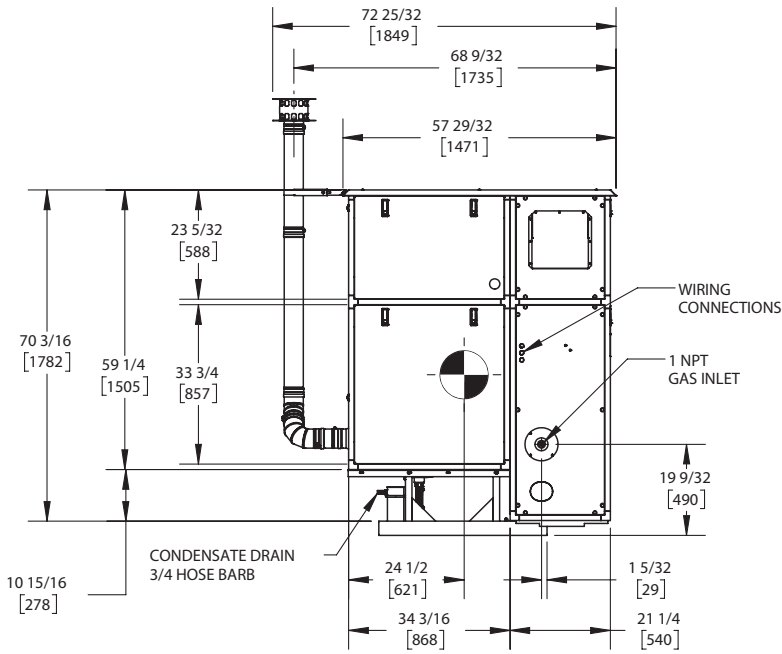
A Division of Mestek, Inc.  
Westfield, MA 01085  
(413) 564-5515

# KN-10

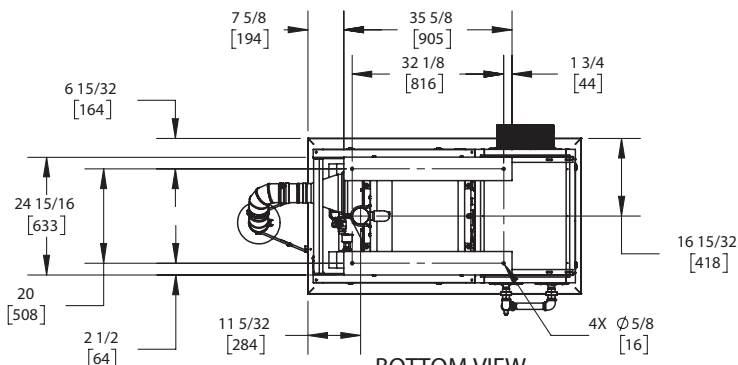
## OUTDOOR UNIT



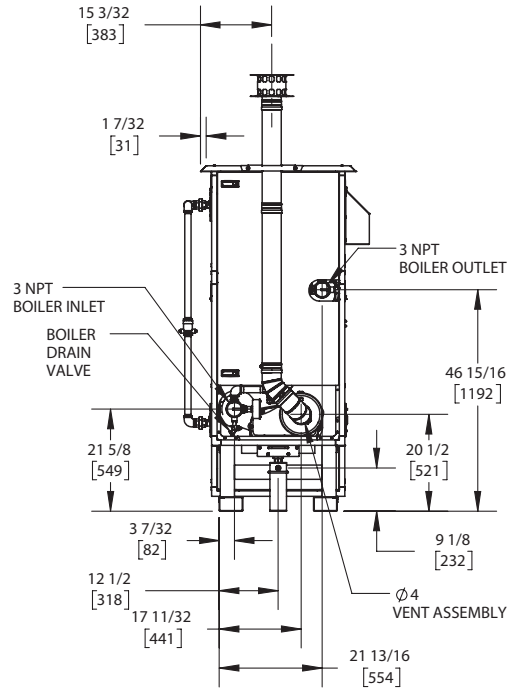
TOP VIEW  
ASUB-33\_E



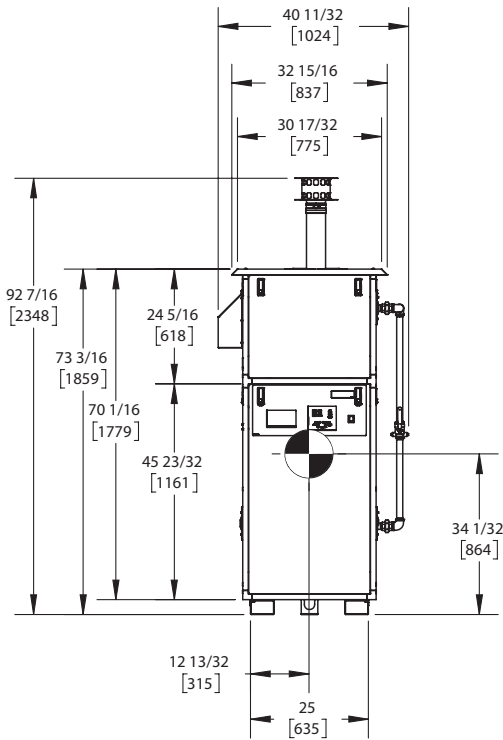
SIDE VIEW  
ASUB-33\_E



BOTTOM VIEW  
ASUB-33\_E



REAR VIEW  
ASUB-33\_E



FRONT VIEW  
ASUB-33\_E

NOTES:

1. SYMBOL INDICATES CENTER OF GRAVITY.
2. DIMENSIONS ARE NOMINAL AND SUBJECT TO MANUFACTURING VARIATION AND SHOULD NOT BE USED FOR "ROUGHING IN".
3. ALL DIMENSIONS ARE INCHES [mm].

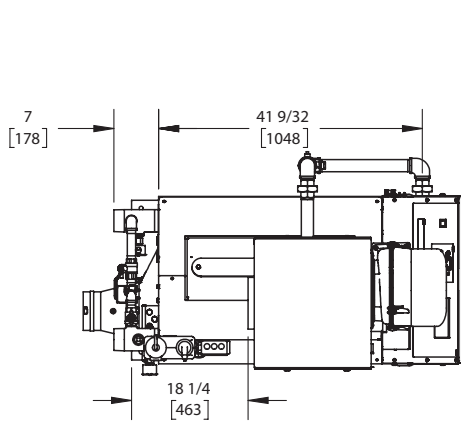
# KN-16

Category II or Category IV Appliance  
(see Installation and Operation Manual for venting information)

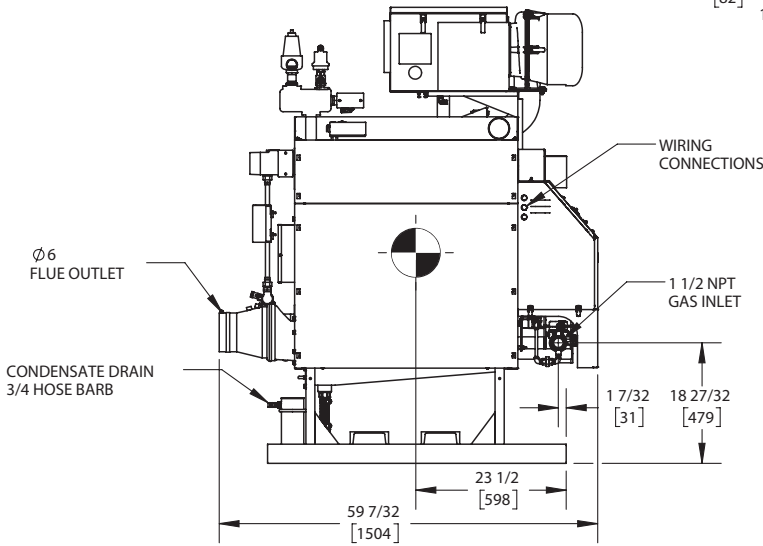
## CODE OPTIONS

CSD-1	STANDARD
-------	----------

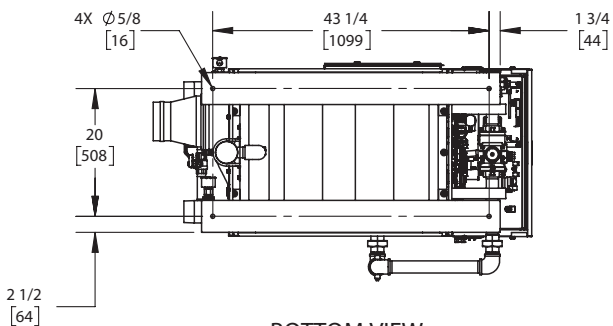
## INDOOR UNIT



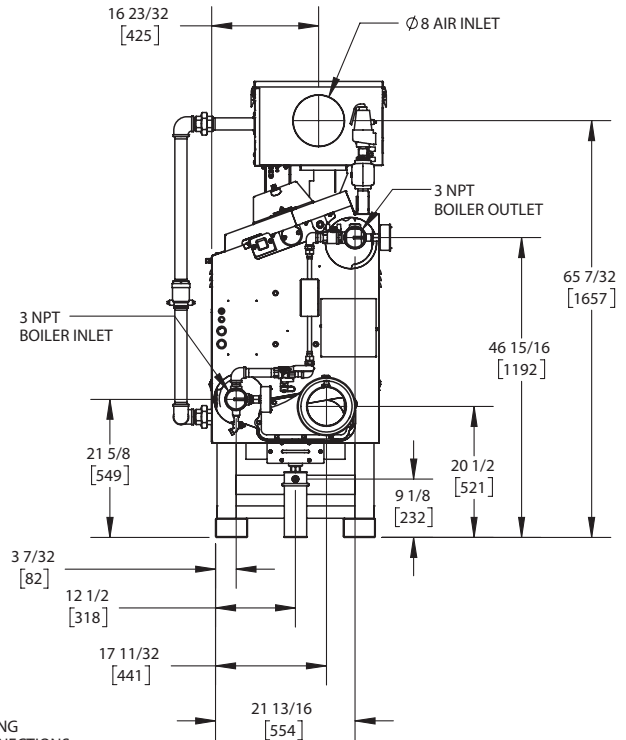
TOP VIEW  
ASUB-16\_G



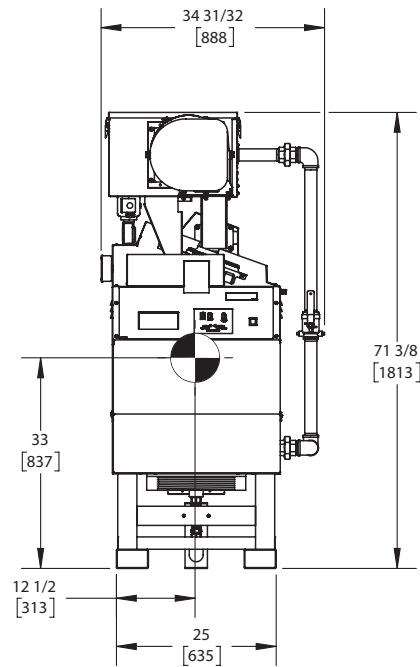
SIDE VIEW  
ASUB-16\_G



BOTTOM VIEW  
ASUB-16\_G



REAR VIEW  
ASUB-16\_G



FRONT VIEW  
ASUB-16\_G

NOTES:

1. SYMBOL INDICATES CENTER OF GRAVITY.
2. DIMENSIONS ARE NOMINAL AND SUBJECT TO MANUFACTURING VARIATION AND SHOULD NOT BE USED FOR "ROUGHING IN".
3. ALL DIMENSIONS ARE INCHES [mm].



## A.G.A. CERTIFIED RATINGS & CAPACITIES

<b>Fuel Type</b>	Natural/LP Gas	<b>Boiler FLA</b>	19.75 A*
<b>Input BTU/hr.</b>	1600 MBH / 469 KW	<b>Min. Gas Pressure Required</b>	3" W.C.
<b>Output BTU/hr.</b>	1440 MBH / 422 KW	<b>Max. Gas Pressure Allowed</b>	14" W.C.
<b>Boiler HP</b>	43.0	<b>Water Volume</b>	17.9 gal.
<b>Electrical Requirements</b>	230VAC/60 hz/1PH (with neutral)	<b>Operating Weight</b>	2360 lbs. / 1070 kg.
<b>SCCR Rating</b>	5kA		

## BOILER TRIM & CONTROLS

<b>Main Gas Valve</b>	Dungs MBC	<b>Air Switch</b>	Huba
<b>Firing Valve</b>	1-1/2" Apollo	<b>Flow Sensor</b>	SIKA
<b>Ignition Control</b>	Honeywell RM7895C	<b>Blocked Flue Switch</b>	Cleveland NS2
<b>Operating Control</b>	HeatNet®	<b>Blower Motor</b>	Ametek
<b>High Limit</b>	Honeywell L4006E	<b>L.W.C.O.</b>	800
<b>Main Ball Valve</b>	1-1/2" Apollo	<b>Relief Valve</b>	30, 50, 75 & 100 PSI
<b>Pilot Cock</b>	1/4" Conbraco	<b>Pilot Regulator</b>	Maxitrol RV12LT

## A.S.M.E.

<b>ASME Sect IV Fire Side Htg Surface</b>	59.84 Sq. Ft. / 5.56 Sq. M.	<b>Design Data</b>	100 PSI & 250°F
<b>ASME Sect IV Water Side Htg Surface</b>	63.98 Sq. Ft. / 5.94 Sq. M.		
<b>CV. GPM (1PSID)</b>	140		

\*Add circulator amps.

## TEMPERATURE RISE / PRESSURE DROP (Based on Full Input)

20°F / 11.1°C				40°F / 22.2°C				60°F / 33.3°C				80°F / 44.4°C				100°F / 55.5°C			
Flow Rate		Pressure Drop		Flow Rate		Pressure Drop		Flow Rate		Pressure Drop		Flow Rate		Pressure Drop		Flow Rate		Pressure Drop	
GPM	L/s	Ft	kPa	GPM	L/s	Ft	kPa	GPM	L/s	Ft	kPa	GPM	L/s	Ft	kPa	GPM	L/s	Ft	kPa
144.1	9.10	2.44	7.30	72.0	4.50	.61	1.80	48.0	3.00	.27	.80	36.0	2.30	.15	.50	28.8	1.80	.10	.30

Flow GPM		Temp. Rise** (°F)		Vent Length (Equiv. Ft.)		Air Inlet Length (Equiv. Ft.)	
Min	Max	Min	Max	Min	Max	Min	Max
28.8	144.1	20	100	6	120	0	120

\*\*Min/Max delta t reflects boiler operation at full input. For applications requiring operation above/below these parameters please consult factory.

**REP FIRM** \_\_\_\_\_  
**SUBMITTED BY** \_\_\_\_\_  
**JOB NAME** \_\_\_\_\_  
**ARCHITECT** \_\_\_\_\_  
**ENGINEER** \_\_\_\_\_  
**CONTRACTOR** \_\_\_\_\_  
**DATE** \_\_\_\_\_

# KN-16

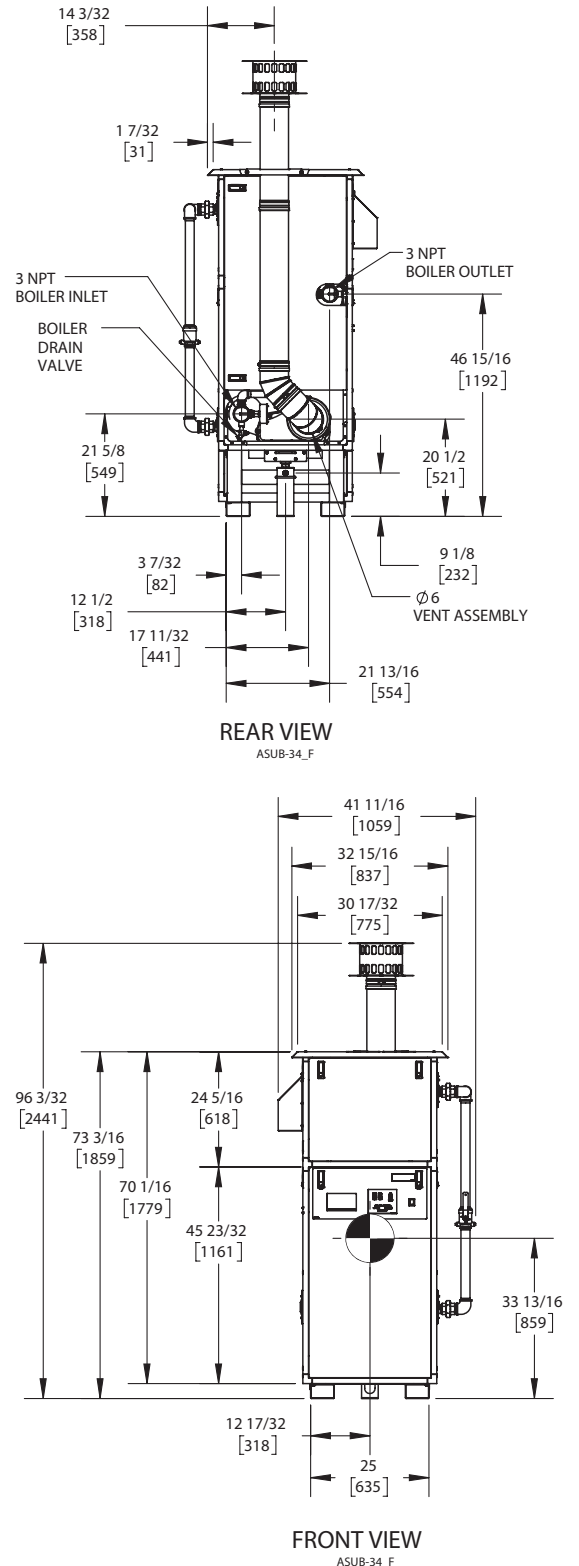
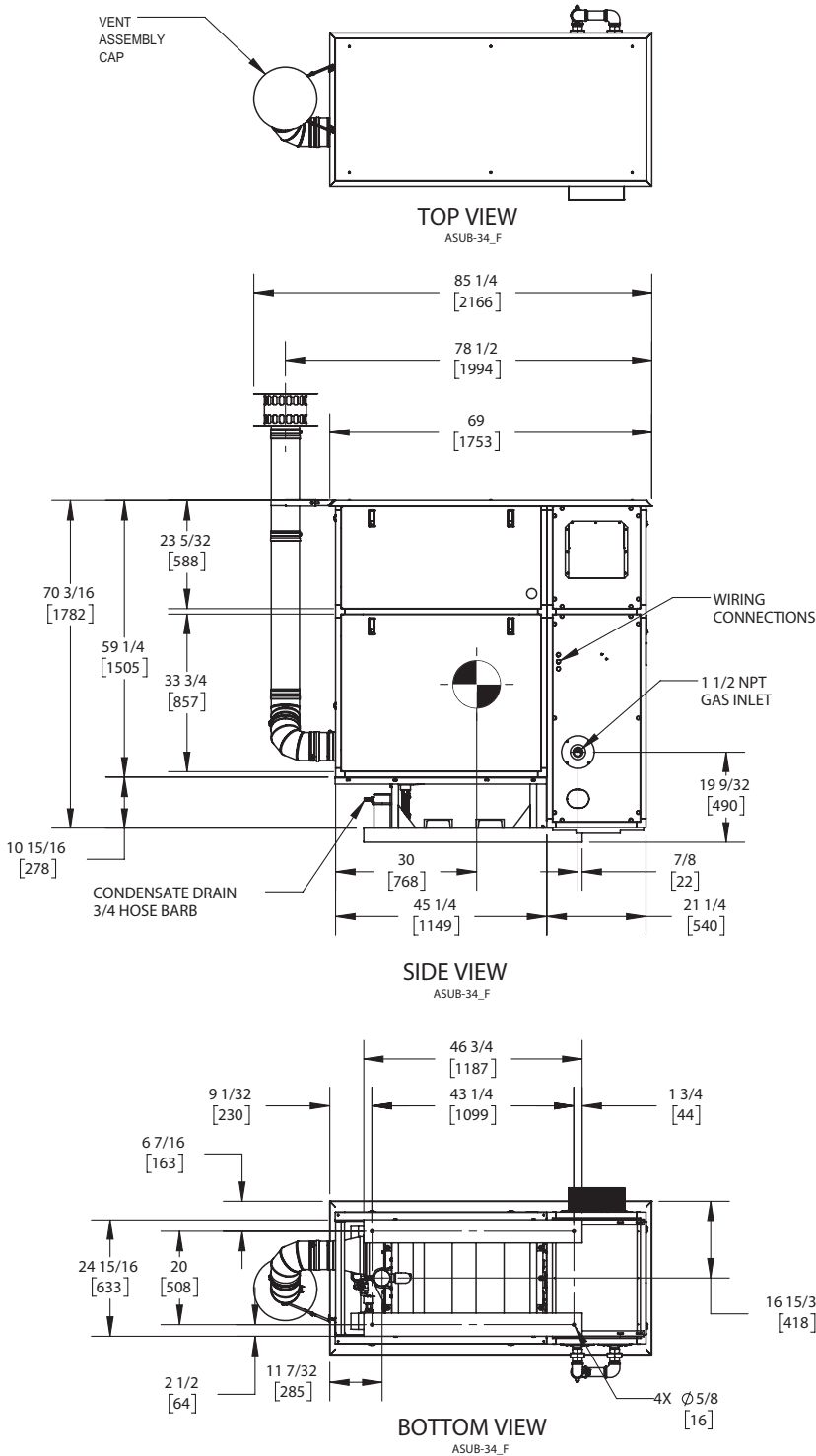
**Category II or Category IV Appliance**  
 (see Installation and Operation Manual for venting information)



A Division of Mestek, Inc.  
 Westfield, MA 01085  
 (413) 564-5515

# KN-16

## OUTDOOR UNIT



**NOTES:**

1. SYMBOL INDICATES CENTER OF GRAVITY.
2. DIMENSIONS ARE NOMINAL AND SUBJECT TO MANUFACTURING VARIATION AND SHOULD NOT BE USED FOR "ROUGHING IN".
3. ALL DIMENSIONS ARE INCHES [mm].

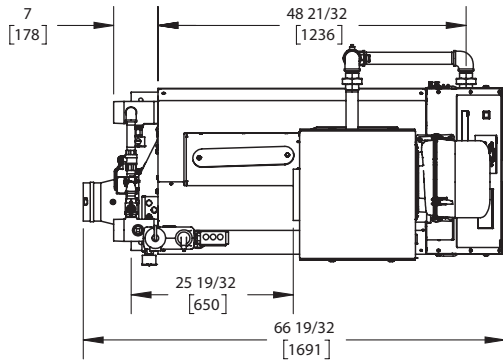
# KN-20

Category II or Category IV Appliance  
(see Installation and Operation Manual for venting information)

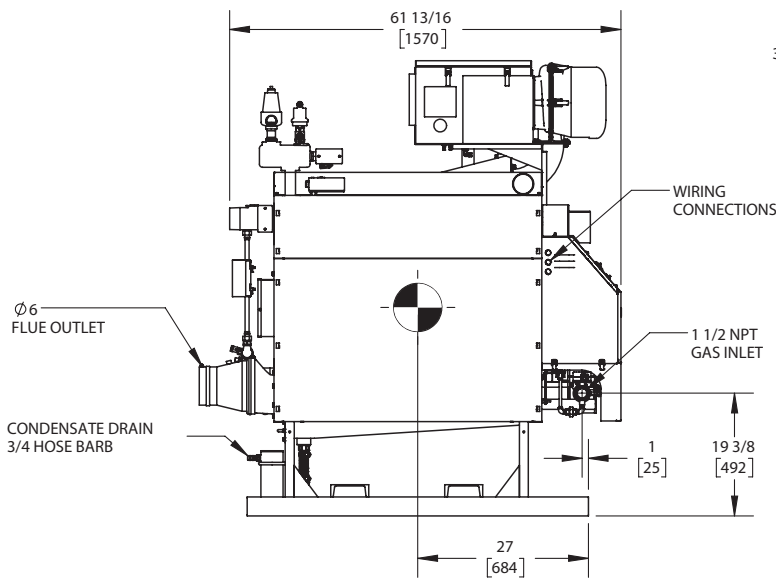
## CODE OPTIONS

CSD-1	STANDARD
-------	----------

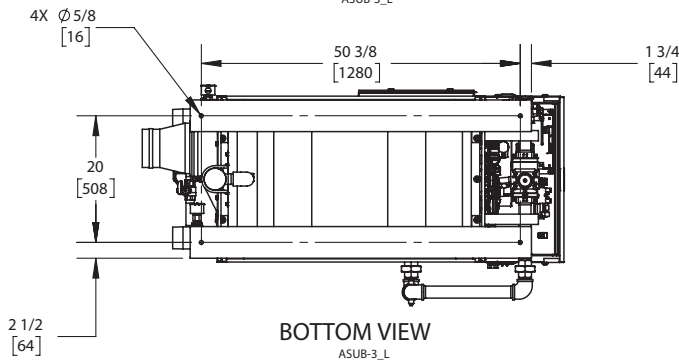
## INDOOR UNIT



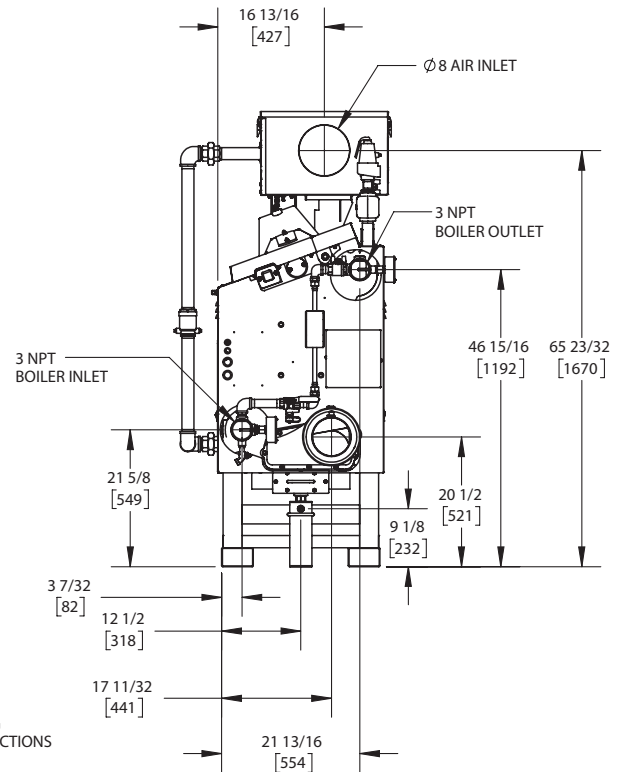
TOP VIEW  
ASUB-3\_L



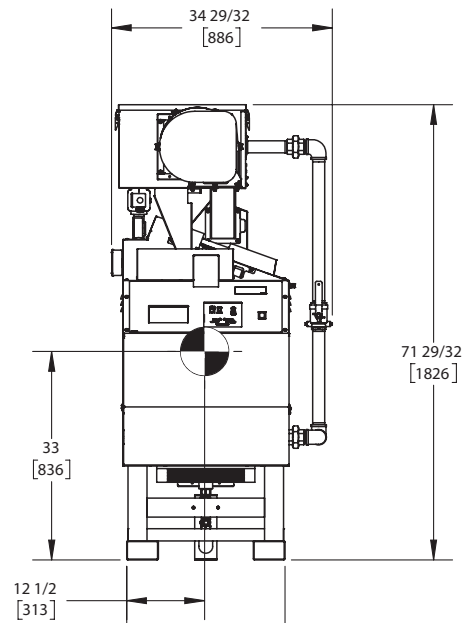
SIDE VIEW  
ASUB-3\_L



BOTTOM VIEW  
ASUB-3\_L



REAR VIEW  
ASUB-3\_L



FRONT VIEW  
ASUB-3\_L

NOTES:

1. SYMBOL INDICATES CENTER OF GRAVITY.
2. DIMENSIONS ARE NOMINAL AND SUBJECT TO MANUFACTURING VARIATION AND SHOULD NOT BE USED FOR "ROUGHING IN".
3. ALL DIMENSIONS ARE INCHES [mm].



## A.G.A. CERTIFIED RATINGS & CAPACITIES

<b>Fuel Type</b>	Natural/LP Gas	<b>Boiler FLA</b>	19.75 A*
<b>Input BTU/hr.</b>	1999 MBH / 586 KW	<b>Min. Gas Pressure Required</b>	3" W.C.
<b>Output BTU/hr.</b>	1799 MBH / 527 KW	<b>Max. Gas Pressure Allowed</b>	14" W.C.
<b>Boiler HP</b>	53.7	<b>Water Volume</b>	21.9 gal.
<b>Electrical Requirements</b>	230VAC/60 hz/1PH (with neutral)	<b>Operating Weight</b>	2714 lbs. / 1232 kg.
<b>SCCR Rating</b>	5kA		

## BOILER TRIM & CONTROLS

<b>Main Gas Valve</b>	Dungs MBC	<b>Air Switch</b>	Huba
<b>Firing Valve</b>	1-1/2" Apollo	<b>Flow Sensor</b>	SIKA
<b>Ignition Control</b>	Honeywell RM7895C	<b>Blocked Flue Switch</b>	Cleveland NS2
<b>Operating Control</b>	HeatNet®	<b>Blower Motor</b>	Ametek
<b>High Limit</b>	Honeywell L4006E	<b>L.W.C.O.</b>	800
<b>Main Ball Valve</b>	1-1/2" Apollo	<b>Relief Valve</b>	30, 50, 75 & 100 PSI
<b>Pilot Cock</b>	1/4" Conbraco	<b>Pilot Regulator</b>	Maxitrol RV12LT

## A.S.M.E.

<b>ASME Sect IV Fire Side Htg Surface</b>	73.14 Sq. Ft. / 6.80 Sq. M.	<b>Design Data</b>	100 PSI & 250°F
<b>ASME Sect IV Water Side Htg Surface</b>	78.20 Sq. Ft. / 7.26 Sq. M.		
<b>CV. GPM (1PSID)</b>	161		


\*Add circulator amps.

## TEMPERATURE RISE / PRESSURE DROP (Based on Full Input)

20°F / 11.1°C				40°F / 22.2°C				60°F / 33.3°C				80°F / 44.4°C				100°F / 55.5°C			
Flow Rate		Pressure Drop		Flow Rate		Pressure Drop		Flow Rate		Pressure Drop		Flow Rate		Pressure Drop		Flow Rate		Pressure Drop	
GPM	L/s	Ft	kPa	GPM	L/s	Ft	kPa	GPM	L/s	Ft	kPa	GPM	L/s	Ft	kPa	GPM	L/s	Ft	kPa
180.0	11.40	2.88	8.60	90.0	5.70	.72	2.20	60.0	3.80	.32	1.00	45.0	2.80	.18	.50	36.0	2.30	.12	.30

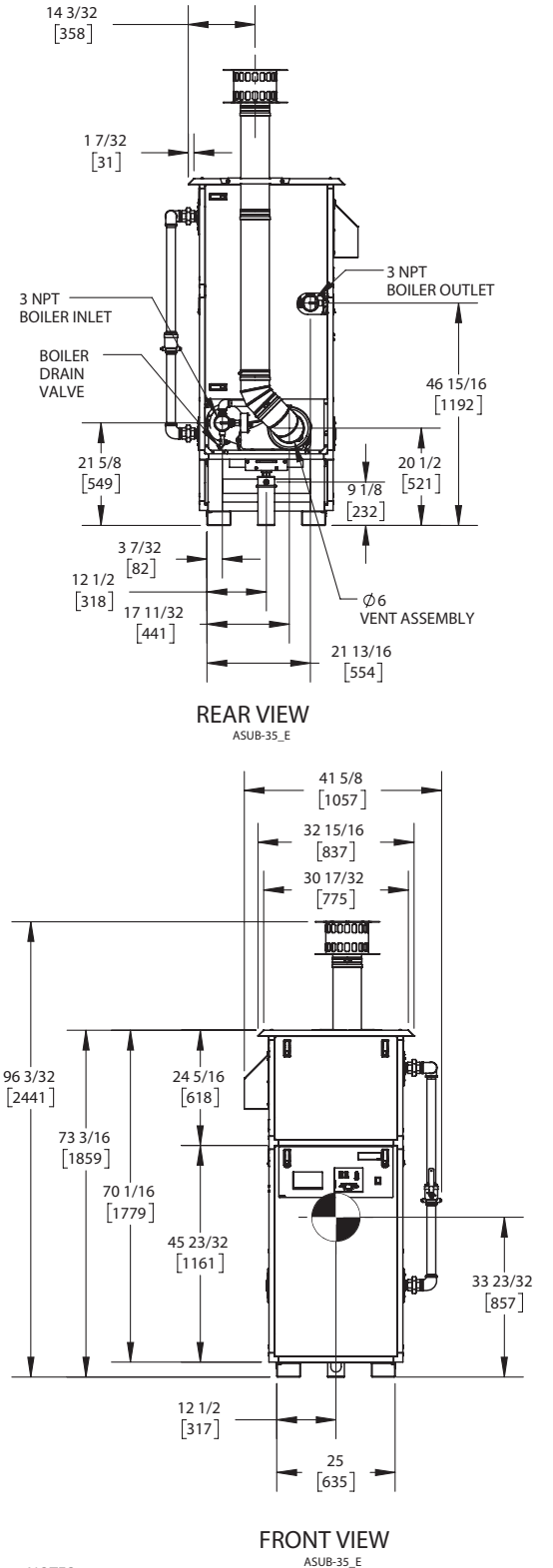
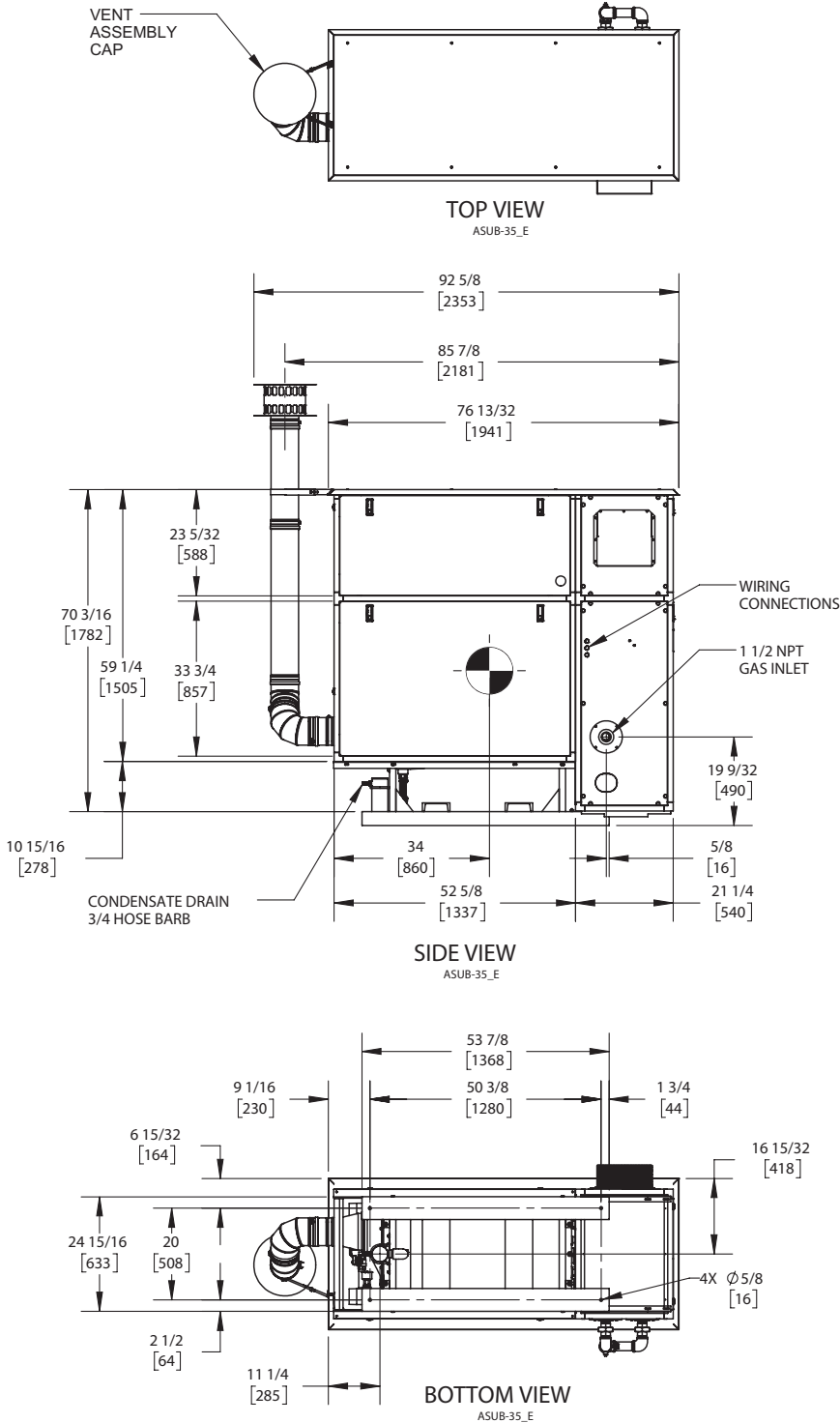
Flow GPM		Temp. Rise** (°F)		Vent Length (Equiv. Ft.)		Air Inlet Length (Equiv. Ft.)	
Min	Max	Min	Max	Min	Max	Min	Max
36.0	180.0	20	100	6	120	0	120

\*\*Min/Max delta t reflects boiler operation at full input. For applications requiring operation above/below these parameters please consult factory.

<b>REP FIRM</b>	_____	<h1>KN-20</h1> <p><b>Category II or Category IV Appliance</b> (see Installation and Operation Manual for venting information)</p>  <p>A Division of Mestek, Inc. Westfield, MA 01085 (413) 564-5515</p>
<b>SUBMITTED BY</b>	_____	
<b>JOB NAME</b>	_____	
<b>ARCHITECT</b>	_____	
<b>ENGINEER</b>	_____	
<b>CONTRACTOR</b>	_____	
<b>DATE</b>	_____	

# KN-20

## OUTDOOR UNIT



**NOTES:**

1. SYMBOL INDICATES CENTER OF GRAVITY.
2. DIMENSIONS ARE NOMINAL AND SUBJECT TO MANUFACTURING VARIATION AND SHOULD NOT BE USED FOR "ROUGHING IN".
3. ALL DIMENSIONS ARE INCHES [mm].



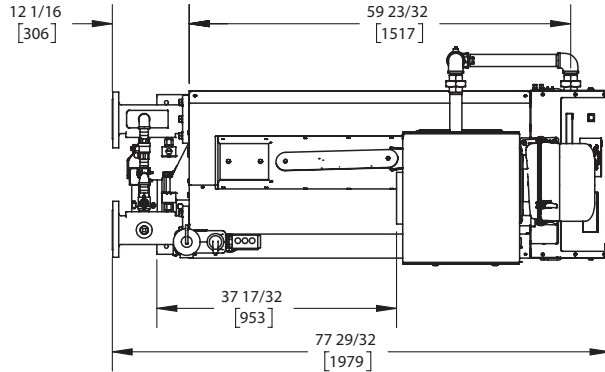
# KN-26

**Category II or Category IV Appliance**  
(see Installation and Operation Manual for venting information)

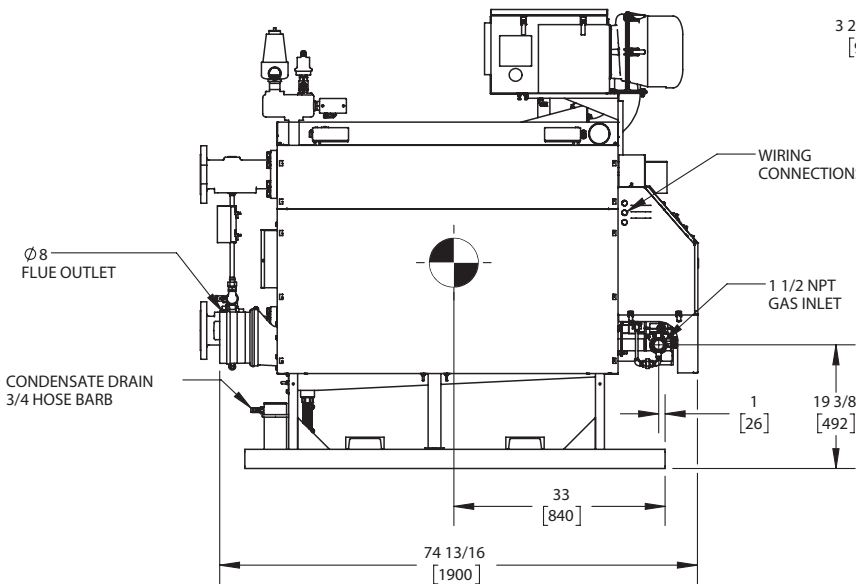
## CODE OPTIONS

CSD-1	STANDARD
-------	----------

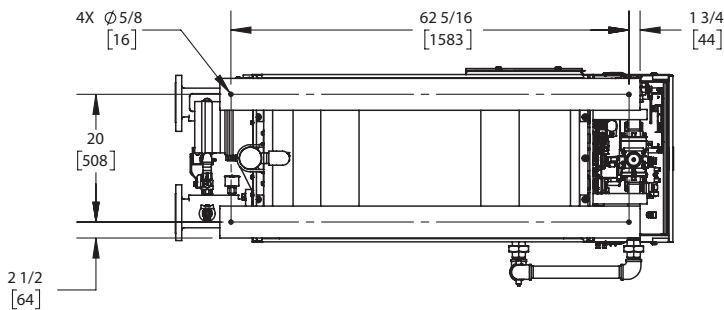
## INDOOR UNIT



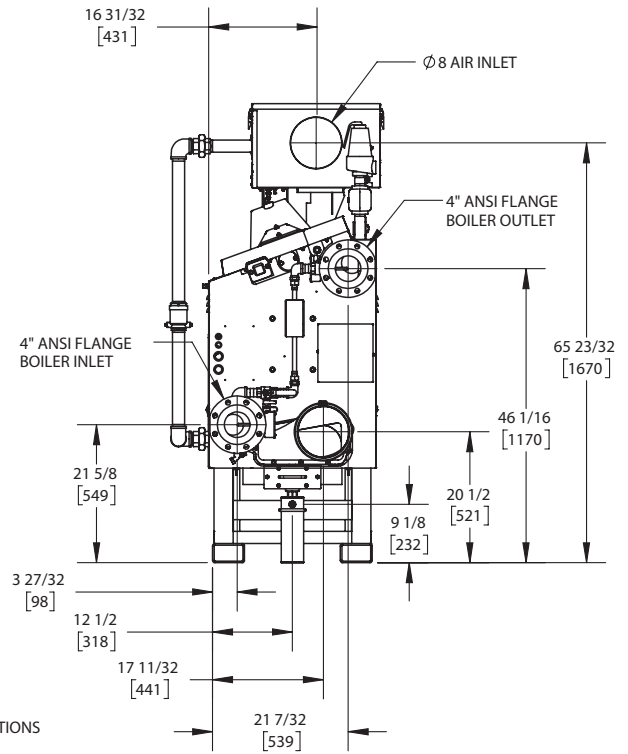
TOP VIEW  
ASUB-12\_F



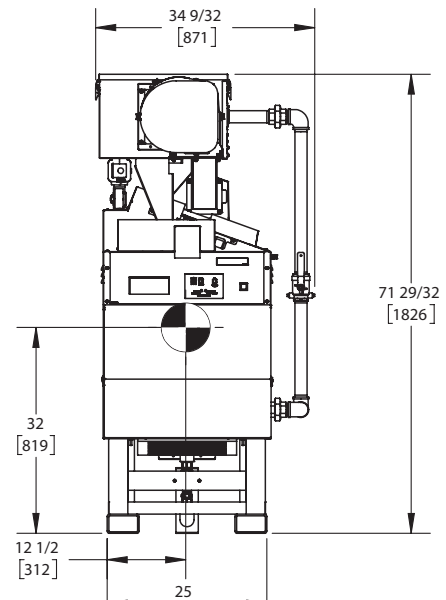
SIDE VIEW  
ASUB-12\_F



BOTTOM VIEW  
ASUB-12\_F



REAR VIEW  
ASUB-12\_F



FRONT VIEW  
ASUB-12\_F

NOTES:

1. SYMBOL INDICATES CENTER OF GRAVITY.
2. DIMENSIONS ARE NOMINAL AND SUBJECT TO MANUFACTURING VARIATION AND SHOULD NOT BE USED FOR "ROUGHING IN".
3. ALL DIMENSIONS ARE INCHES [mm].



## A.G.A. CERTIFIED RATINGS & CAPACITIES

<b>Fuel Type</b>	Natural/LP Gas	<b>Boiler FLA</b>	16.11 A*
<b>Input BTU/hr.</b>	2600 MBH / 762 KW	<b>Min. Gas Pressure Required</b>	3" W.C.
<b>Output BTU/hr.</b>	2340 MBH / 686 KW	<b>Max. Gas Pressure Allowed</b>	14" W.C.
<b>Boiler HP</b>	70	<b>Water Volume</b>	27.7 gal.
<b>Electrical Requirements</b>	230VAC/60 hz/3PH	<b>Operating Weight</b>	3425 lbs. / 1555 kg.
<b>SCCR Rating</b>	5kA		

## BOILER TRIM & CONTROLS

<b>Main Gas Valve</b>	Dungs MBC	<b>Air Switch</b>	Huba
<b>Firing Valve</b>	1-1/2" Apollo	<b>Flow Sensor</b>	SIKA
<b>Ignition Control</b>	Honeywell RM7895C	<b>Blocked Flue Switch</b>	Cleveland NS2
<b>Operating Control</b>	HeatNet®	<b>Blower Motor</b>	Ametek
<b>High Limit (Manual Reset)</b>	Honeywell L4006E	<b>L.W.C.O.</b>	800
<b>High Limit (Auto Reset)</b>	Honeywell L4006A	<b>Relief Valve</b>	30, 50, 75 & 100 PSI
<b>Main Ball Valve</b>	1-1/2" Apollo	<b>Pilot Regulator</b>	Maxitrol RV12LT
<b>Pilot Cock</b>	1/4" Conbraco		

## A.S.M.E.

<b>ASME Sect IV Fire Side Htg Surface</b>	93.08 Sq. Ft. / 8.65 Sq. M.	<b>Design Data</b>	100 PSI & 250°F
<b>ASME Sect IV Water Side Htg Surface</b>	99.53 Sq. Ft. / 9.25 Sq. M.		
<b>CV. GPM (1PSID)</b>	222		


\*Add circulator amps.

## TEMPERATURE RISE / PRESSURE DROP (Based on Full Input)

20°F / 11.1°C				40°F / 22.2°C				60°F / 33.3°C				80°F / 44.4°C				100°F / 55.5°C			
Flow Rate		Pressure Drop		Flow Rate		Pressure Drop		Flow Rate		Pressure Drop		Flow Rate		Pressure Drop		Flow Rate		Pressure Drop	
GPM	L/s	Ft	kPa	GPM	L/s	Ft	kPa	GPM	L/s	Ft	kPa	GPM	L/s	Ft	kPa	GPM	L/s	Ft	kPa
234.1	14.80	2.57	7.70	117.0	7.40	.64	1.90	78.0	4.90	.29	.90	58.5	3.70	.16	.50	46.8	3.00	.10	.30

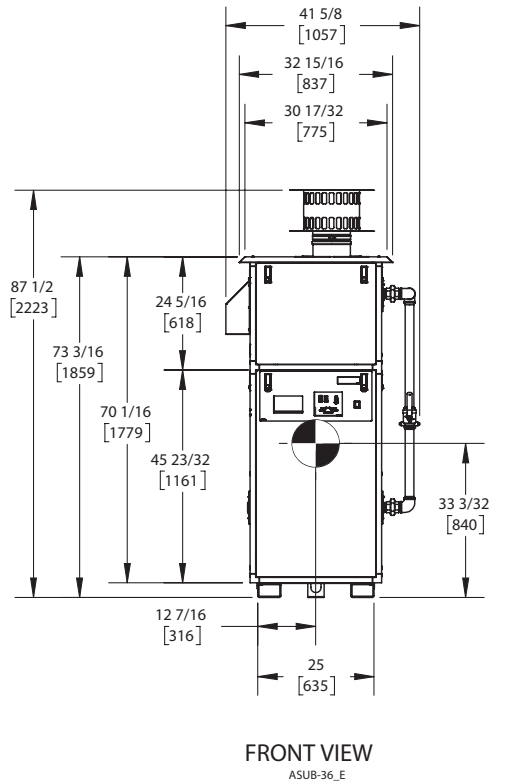
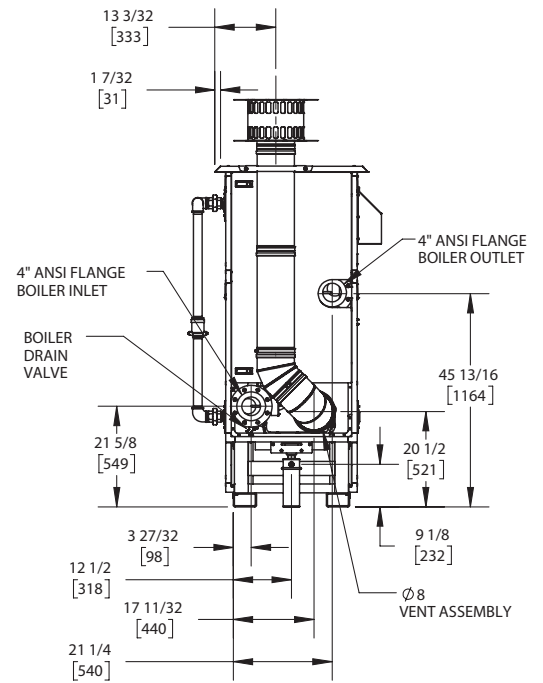
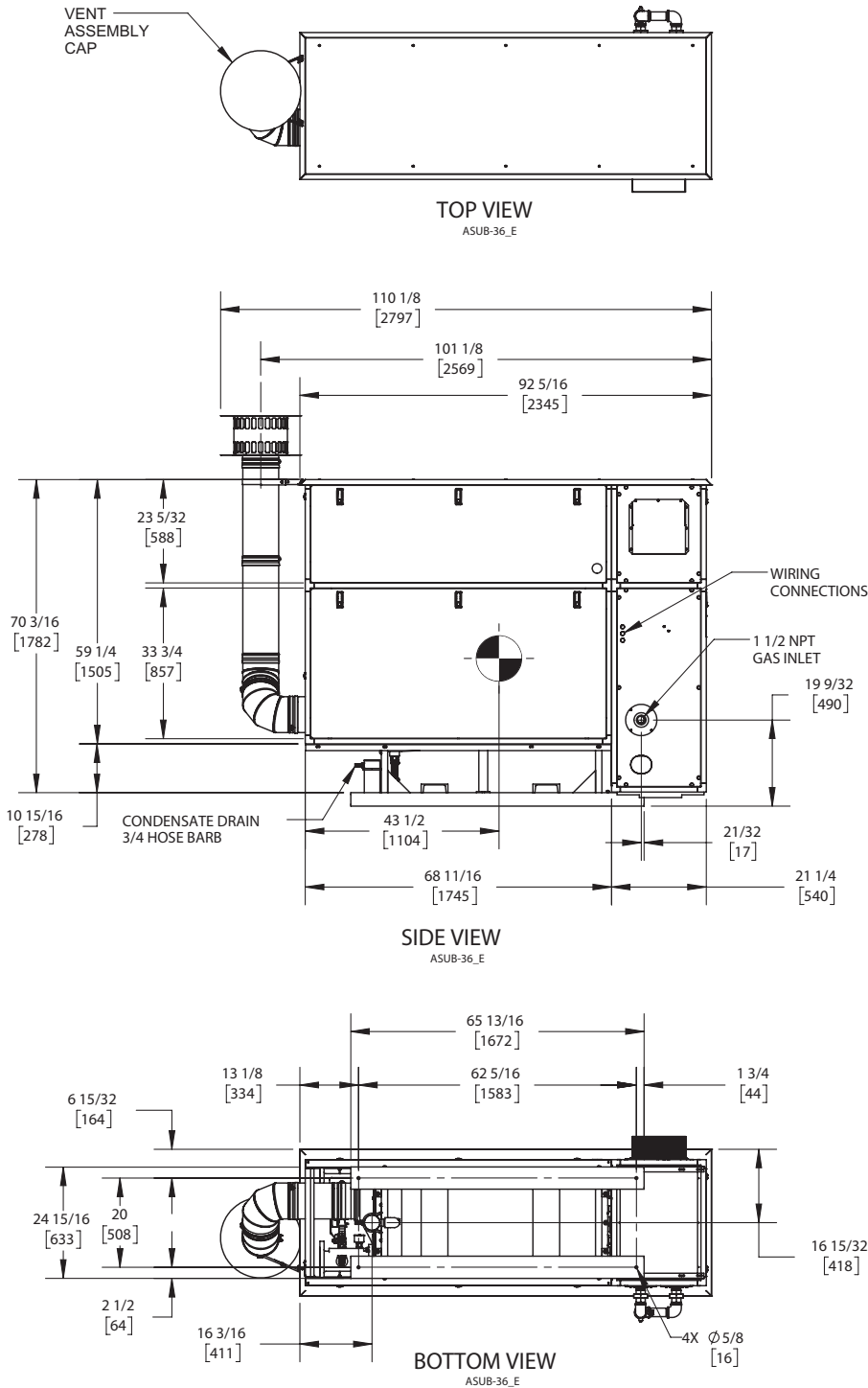
Flow GPM				Temp. Rise** (°F)				Vent Length (Equiv. Ft.)				Air Inlet Length (Equiv. Ft.)			
Min		Max		Min		Max		Min		Max		Min		Max	
46.8		234.1		20		100		6		120		0		120	

\*\*Min/Max delta t reflects boiler operation at full input. For applications requiring operation above/below these parameters please consult factory.

<b>REP FIRM</b>	_____	<h1 style="margin: 0;">KN-26</h1> <p style="margin: 0;"><b>Category II or Category IV Appliance</b> (see Installation and Operation Manual for venting information)</p>
<b>SUBMITTED BY</b>	_____	
<b>JOB NAME</b>	_____	
<b>ARCHITECT</b>	_____	
<b>ENGINEER</b>	_____	
<b>CONTRACTOR</b>	_____	
<b>DATE</b>	_____	 <p>A Division of Mestek, Inc. Westfield, MA 01085 (413) 564-5515</p>

# KN-26

## OUTDOOR UNIT



**NOTES:**

1. SYMBOL INDICATES CENTER OF GRAVITY.
2. DIMENSIONS ARE NOMINAL AND SUBJECT TO MANUFACTURING VARIATION AND SHOULD NOT BE USED FOR "ROUGHING IN".
3. ALL DIMENSIONS ARE INCHES [mm].

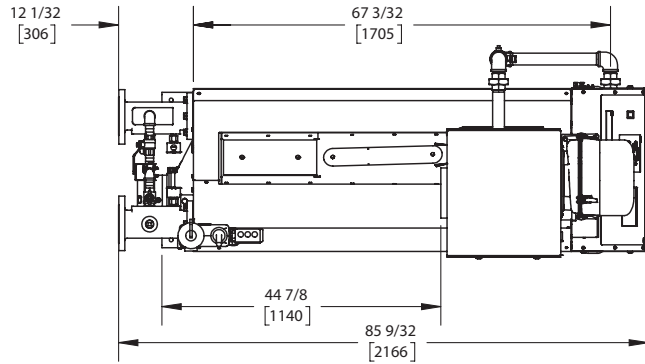
# KN-30

Category II or Category IV Appliance  
(see Installation and Operation Manual for venting information)

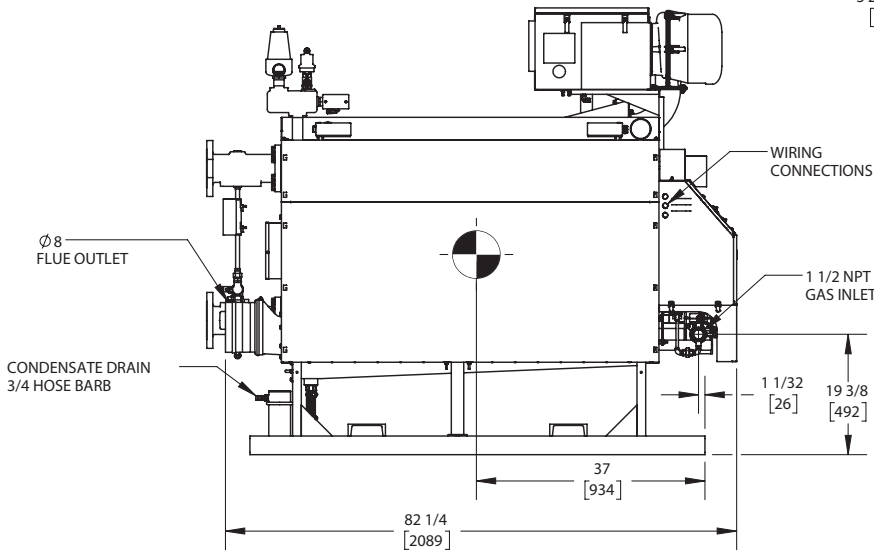
## CODE OPTIONS

CSD-1	STANDARD
-------	----------

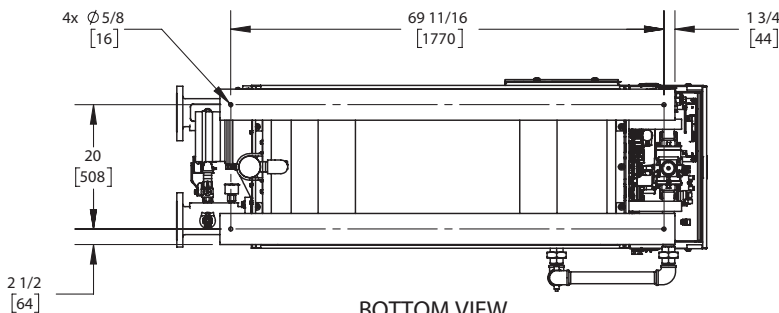
## INDOOR UNIT



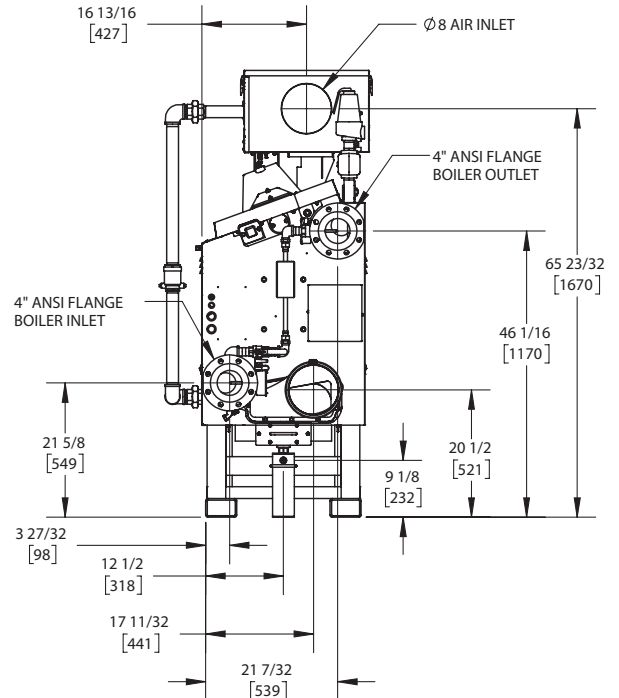
TOP VIEW  
ASUB-10\_G



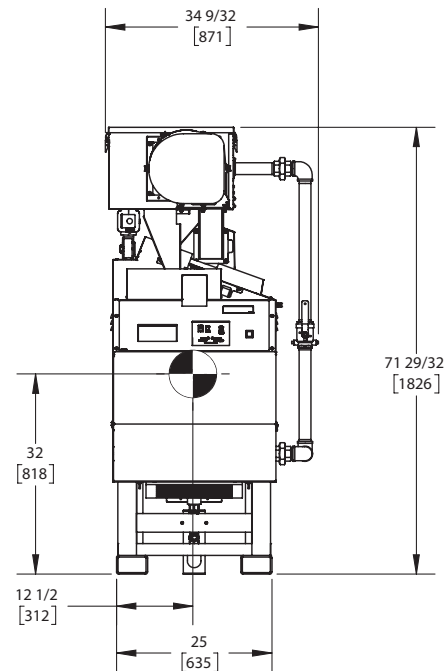
SIDE VIEW  
ASUB-10\_G



BOTTOM VIEW  
ASUB-10\_G



REAR VIEW  
ASUB-10\_G



FRONT VIEW  
ASUB-10\_G

NOTES:

1. SYMBOL INDICATES CENTER OF GRAVITY.
2. DIMENSIONS ARE NOMINAL AND SUBJECT TO MANUFACTURING VARIATION AND SHOULD NOT BE USED FOR "ROUGHING IN".
3. ALL DIMENSIONS ARE INCHES [mm].



## A.G.A. CERTIFIED RATINGS & CAPACITIES

<b>Fuel Type</b>	Natural/LP Gas	<b>Boiler FLA</b>	16.11 A*
<b>Input BTU/hr.</b>	3000 MBH / 879 KW	<b>Min. Gas Pressure Required</b>	3" W.C.
<b>Output BTU/hr.</b>	2700 MBH / 791 KW	<b>Max. Gas Pressure Allowed</b>	14" W.C.
<b>Boiler HP</b>	80.7	<b>Water Volume</b>	31.7 gal.
<b>Electrical Requirements</b>	230VAC/60 hz/3PH	<b>Operating Weight</b>	3850 lbs. / 1748 kg.
<b>SCCR Rating</b>	5kA		

## BOILER TRIM & CONTROLS

<b>Main Gas Valve</b>	Dungs MBC	<b>Air Switch</b>	Huba
<b>Firing Valve</b>	1-1/2" Apollo	<b>Flow Sensor</b>	SIKA
<b>Ignition Control</b>	Honeywell RM7895C	<b>Blocked Flue Switch</b>	Cleveland NS2
<b>Operating Control</b>	HeatNet®	<b>Blower Motor</b>	Ametek
<b>High Limit (Manual Reset)</b>	Honeywell L4006E	<b>L.W.C.O.</b>	800
<b>High Limit (Auto Reset)</b>	Honeywell L4006A	<b>Relief Valve</b>	30, 50, 75 & 100 PSI
<b>Main Ball Valve</b>	1-1/2" Apollo	<b>Pilot Regulator</b>	Maxitrol RV12LT
<b>Pilot Cock</b>	1/4" Conbraco		

## A.S.M.E.

<b>ASME Sect IV Fire Side Htg Surface</b>	106.38 Sq. Ft. / 9.88 Sq. M.	<b>Design Data</b>	100 PSI & 250°F
<b>ASME Sect IV Water Side Htg Surface</b>	113.74 Sq. Ft. / 10.57 Sq. M.		
<b>CV. GPM (1PSID)</b>	246		

\*Add circulator amps.

## TEMPERATURE RISE / PRESSURE DROP (Based on Full Input)

20°F / 11.1°C				40°F / 22.2°C				60°F / 33.3°C				80°F / 44.4°C				100°F / 55.5°C			
Flow Rate		Pressure Drop		Flow Rate		Pressure Drop		Flow Rate		Pressure Drop		Flow Rate		Pressure Drop		Flow Rate		Pressure Drop	
GPM	L/s	Ft	kPa	GPM	L/s	Ft	kPa	GPM	L/s	Ft	kPa	GPM	L/s	Ft	kPa	GPM	L/s	Ft	kPa
270.1	17.0	2.78	8.30	135.1	8.50	.70	2.10	90.0	5.70	.31	.90	67.5	4.30	.17	.50	54.0	3.40	.11	.30

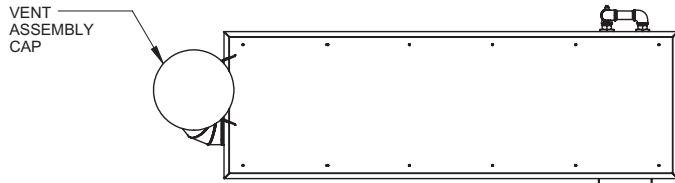
Flow GPM				Temp. Rise** (°F)				Vent Length (Equiv. Ft.)				Air Inlet Length (Equiv. Ft.)			
Min		Max		Min		Max		Min		Max		Min		Max	
54.4		270.1		20		100		6		120		0		120	

\*\*Min/Max delta t reflects boiler operation at full input. For applications requiring operation above/below these parameters please consult factory.

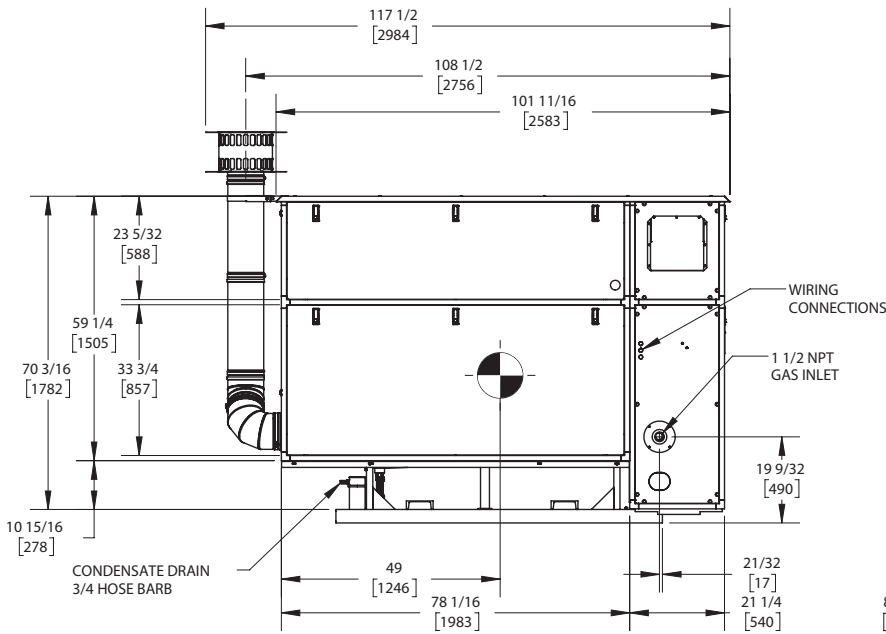
<p><b>REP FIRM</b> _____</p> <p><b>SUBMITTED BY</b> _____</p> <p><b>JOB NAME</b> _____</p> <p><b>ARCHITECT</b> _____</p> <p><b>ENGINEER</b> _____</p> <p><b>CONTRACTOR</b> _____</p> <p><b>DATE</b> _____</p>	<div style="background-color: black; color: white; padding: 10px; font-size: 2em; font-weight: bold; margin-bottom: 10px;">KN-30</div> <p><b>Category II or Category IV Appliance</b> (see Installation and Operation Manual for venting information)</p> <div style="display: flex; align-items: center; justify-content: center; margin-top: 20px;"> <div> <p>A Division of Mestek, Inc. Westfield, MA 01085 (413) 564-5515</p> </div> </div>
---	---

# KN-30

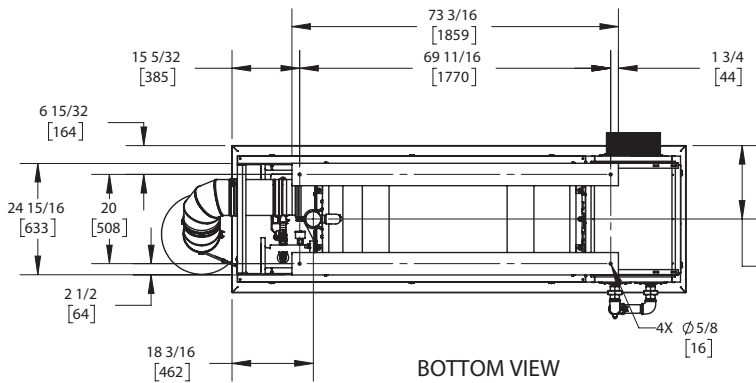
## OUTDOOR UNIT



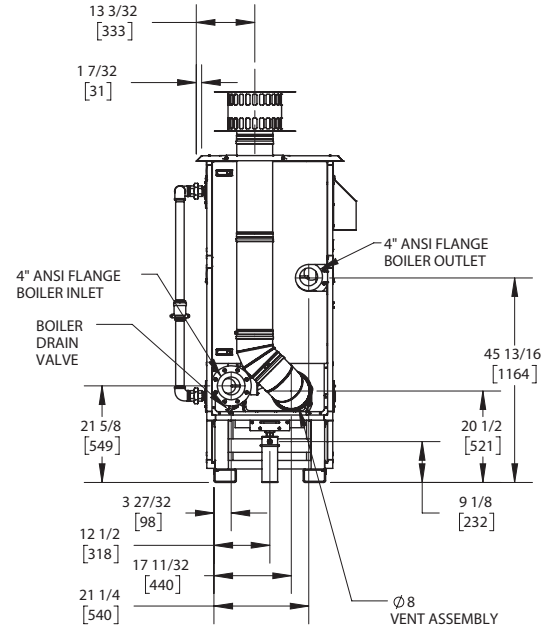
TOP VIEW  
ASUB-37\_E



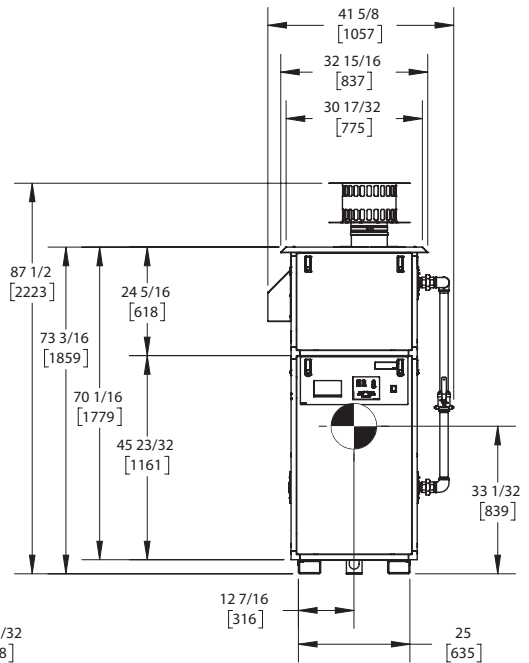
SIDE VIEW  
ASUB-37\_E



BOTTOM VIEW  
ASUB-37\_E



REAR VIEW  
ASUB-37\_E



FRONT VIEW  
ASUB-37\_E

NOTES:

1. SYMBOL INDICATES CENTER OF GRAVITY.
2. DIMENSIONS ARE NOMINAL AND SUBJECT TO MANUFACTURING VARIATION AND SHOULD NOT BE USED FOR "ROUGHING IN".
3. ALL DIMENSIONS ARE INCHES [mm].

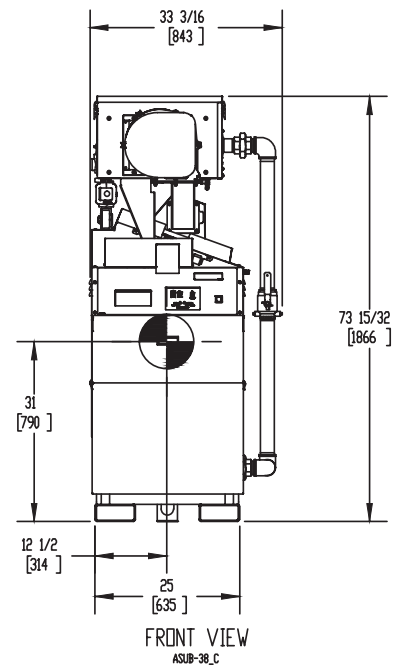
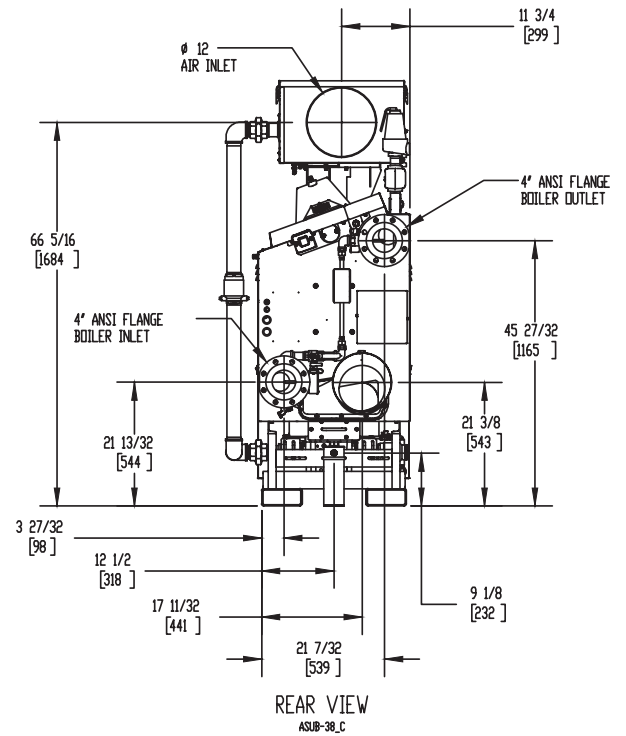
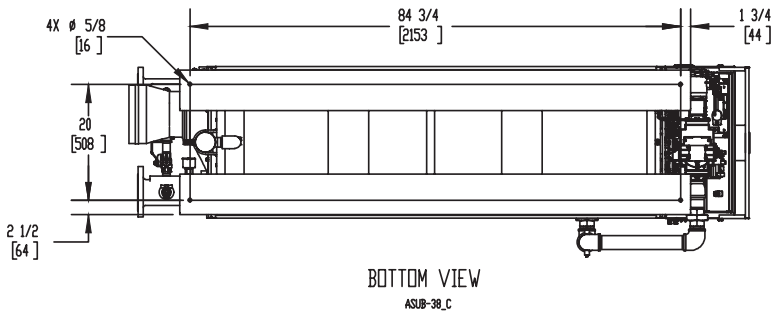
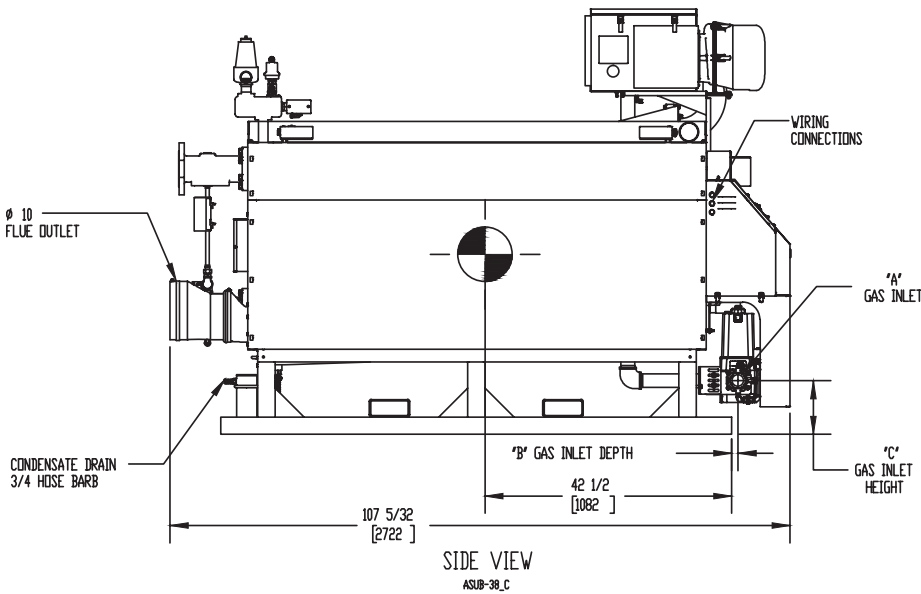
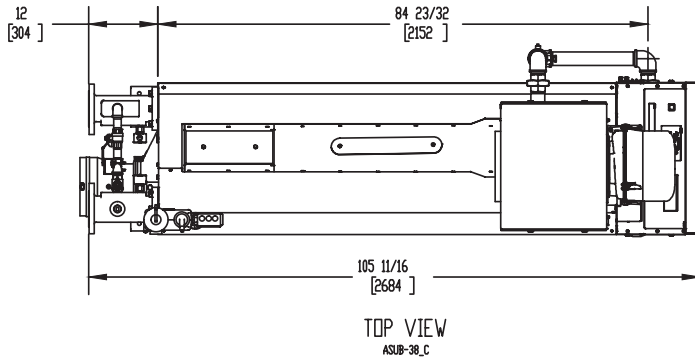
# KN-40

Category II or Category IV Appliance  
(see Installation and Operation Manual for venting information)

## CODE OPTIONS

CSD-1	STANDARD
-------	----------

## INDOOR UNIT



### NOTES:

1. SYMBOL INDICATES CENTER OF GRAVITY.
2. DIMENSIONS ARE NOMINAL AND SUBJECT TO MANUFACTURING VARIATION AND SHOULD NOT BE USED FOR "ROUGHING IN".
3. ALL DIMENSIONS ARE INCHES (mm).

GAS OPTION	"A"	"B"	"C"
NG	2 NPT	1 1/8 (29)	9 3/32 (230)
LP	1 1/2 NPT	1 25/32 (45)	15 29/32 (404)



## A.G.A. CERTIFIED RATINGS & CAPACITIES

<b>Fuel Type</b>	Natural/LP Gas	<b>Boiler FLA</b>	19.94 A*
<b>Input BTU/hr.</b>	4000 MBH / 1172 KW	<b>Min. Gas Pressure Required</b>	3" W.C.
<b>Output BTU/hr.</b>	3540 MBH / 1037 KW	<b>Max. Gas Pressure Allowed</b>	14" W.C.
<b>Boiler HP</b>	105.8	<b>Water Volume</b>	41.6 gal.
<b>Electrical Requirements</b>	230VAC/60 hz/3PH	<b>Operating Weight</b>	4627 lbs. / 2101 kg.
<b>SCCR Rating</b>	5kA		

## BOILER TRIM & CONTROLS

<b>Main Gas Valve</b>	Dungs MBC	<b>Air Switch</b>	Huba
<b>Firing Valve</b>	2" Apollo	<b>Flow Sensor</b>	SIKA
<b>Ignition Control</b>	Honeywell RM7895C	<b>Blocked Flue Switch</b>	Cleveland NS2
<b>Operating Control</b>	HeatNet®	<b>Blower Motor</b>	Ametek
<b>High Limit (Manual Reset)</b>	Honeywell L4006E	<b>L.W.C.O.</b>	800
<b>High Limit (Auto Reset)</b>	Honeywell L4006A	<b>Relief Valve</b>	30, 50, 75 & 100 PSI
<b>Main Ball Valve</b>	2" Apollo	<b>Pilot Regulator</b>	Maxitrol RV12LT
<b>Pilot Cock</b>	1/4" Conbraco		

## A.S.M.E.

<b>ASME Sect IV Fire Side Htg Surface</b>	139.63 Sq. Ft. / 12.97 Sq. M.	<b>Design Data</b>	100 PSI & 250°F
<b>ASME Sect IV Water Side Htg Surface</b>	149.29 Sq. Ft. / 13.87 Sq. M.		
<b>CV. GPM (1PSID)</b>	271		


\*Add circulator amps.

## TEMPERATURE RISE / PRESSURE DROP (Based on Full Input)

20°F / 11.1°C				40°F / 22.2°C				60°F / 33.3°C				80°F / 44.4°C				100°F / 55.5°C			
Flow Rate		Pressure Drop		Flow Rate		Pressure Drop		Flow Rate		Pressure Drop		Flow Rate		Pressure Drop		Flow Rate		Pressure Drop	
GPM	L/s	Ft	kPa	GPM	L/s	Ft	kPa	GPM	L/s	Ft	kPa	GPM	L/s	Ft	kPa	GPM	L/s	Ft	kPa
354.1	22.3	3.94	11.8	177.1	11.2	.99	2.90	118.0	7.40	.44	1.30	88.5	5.60	.25	.70	70.8	4.50	.16	.50

Flow GPM		Temp. Rise** (°F)		Vent Length (Equiv. Ft.)		Air Inlet Length (Equiv. Ft.)	
Min	Max	Min	Max	Min	Max	Min	Max
70.8	354.1	20	100	6	100	0	100

\*\*Min/Max delta t reflects boiler operation at full input. For applications requiring operation above/below these parameters please consult factory.

<b>REP FIRM</b>	_____	<h1 style="margin: 0;">KN-40</h1> <p style="margin: 0;"><b>Category II or Category IV Appliance</b> (see Installation and Operation Manual for venting information)</p>  <p style="margin: 0;">A Division of Mestek, Inc. Westfield, MA 01085 (413) 564-5515</p>
<b>SUBMITTED BY</b>	_____	
<b>JOB NAME</b>	_____	
<b>ARCHITECT</b>	_____	
<b>ENGINEER</b>	_____	
<b>CONTRACTOR</b>	_____	
<b>DATE</b>	_____	



# KN-40

## OUTDOOR UNIT

